

# 3form® FRAME

---



Designed and engineered to work with our award winning material, 3form® frame is a light scale architectural partition system which allows customers to create simple wall structures and framed openings with custom panel configurations. With its ability to mount directly to the architecture from all sides, it gives you a full range of installation options.



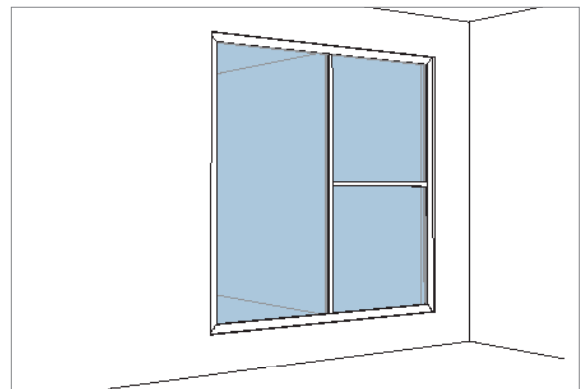
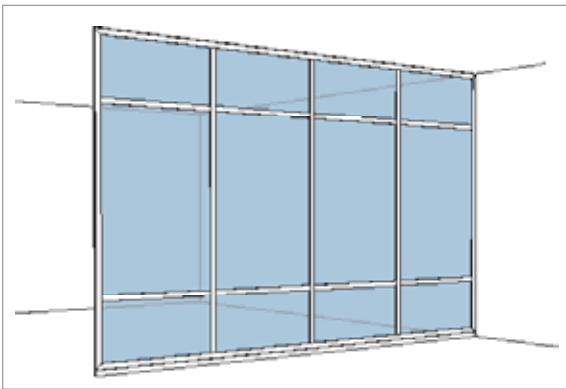
---

For more information, please visit [www.3form.eu](http://www.3form.eu) or email [info@3form.eu](mailto:info@3form.eu) or call +31 (0) 88 336 576 00

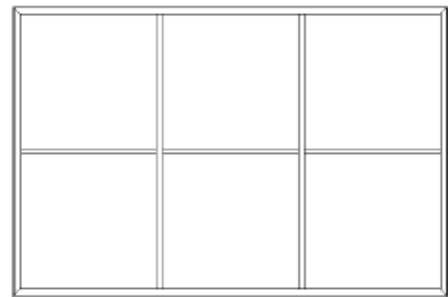
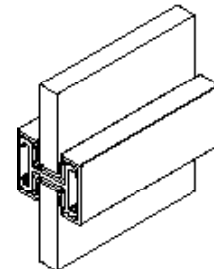
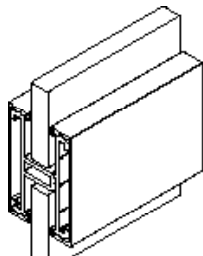
JANUARY 15<sup>TH</sup> 3form BV, All rights reserved

## OVERVIEW

3form frame presents an elegant solution for fully framing 3form material, including varia<sup>™</sup>, in simple partition installations or a fully enclosed (i.e. window) space.



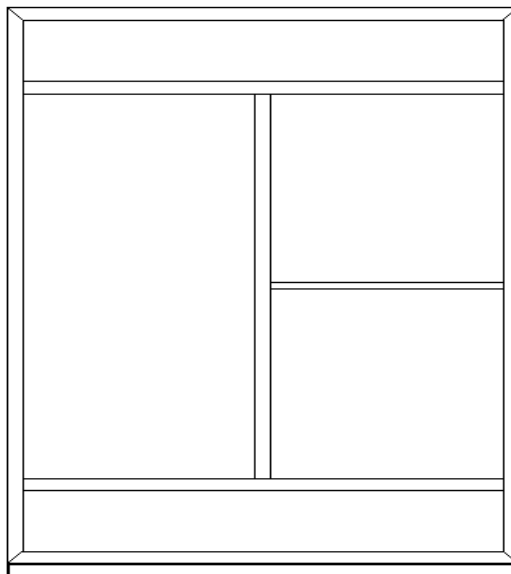
With your choice of 2 channel types, a primary sandwich channel and a secondary mullion channel, you can divide your partition into as many or as few panes as you'd like. Additionally, you can be sure the channel depth and panel engagement has been engineered to work with our material.



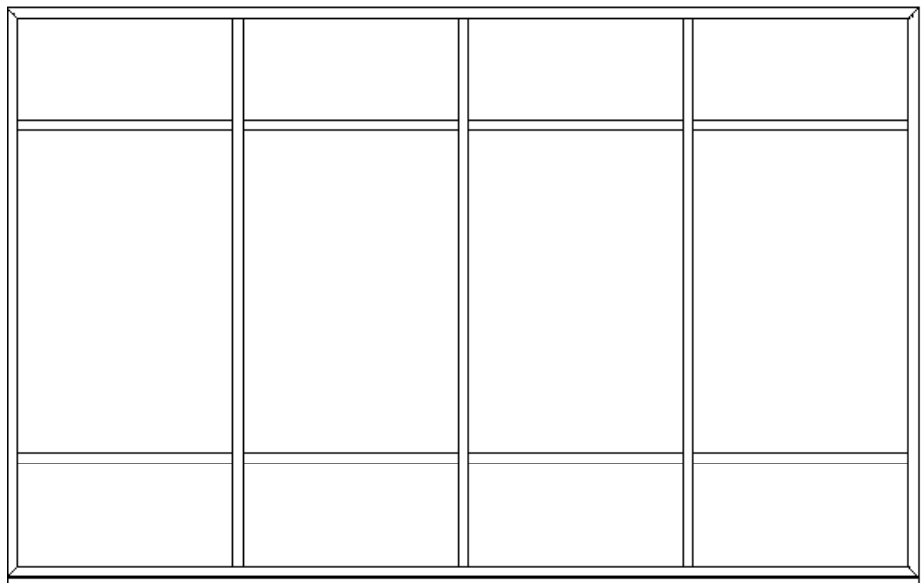
The next page demonstrates 2 additional options that further demonstrate the flexibility of Frame. Following that you can learn more about the features of 3form Frame and specifying it.

## SOLUTIONS

**SOLUTION 1: (2) 305 X 1829 MM (1' X 6') PANELS, (2) 914 X 914 MM (3' X 3') PANELS,  
(1) 914 X 1829 MM (3' X 6') PANEL**



**SOLUTION 2: (8) 610 X 1220 MM (2' X 4') PANELS, (4) 1220 X 1829 MM (4' X 6') PANELS**



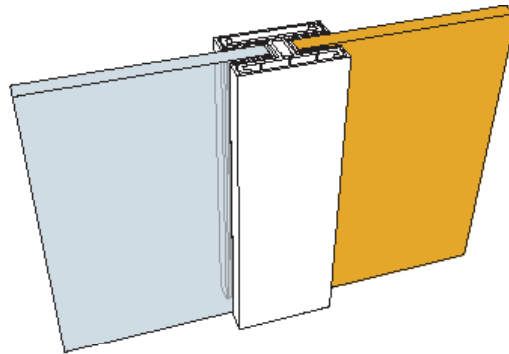
## FEATURES

### ENGINEERED FOR ECORESIN

Designed and engineered by 3form specifically around the glazing requirements of varia, you can be sure that the technical details of the system, including channel depth and expansion allowance, will securely contain the panel of your choice.

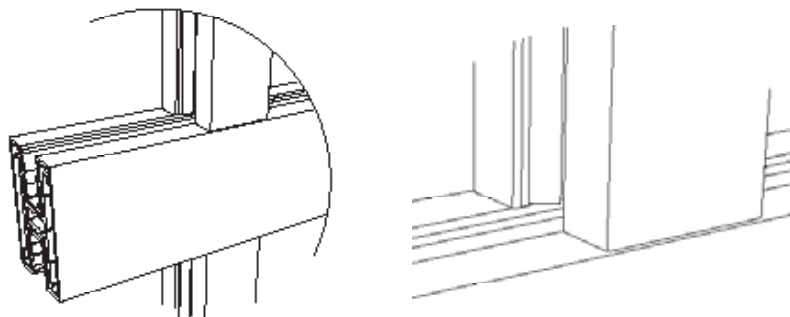
### ACCOMODATES GLASS

In addition to 6 mm (1/4") & 10 mm (3/8") varia, the system will also allow you to frame 6 mm (1/4") and 10 mm (3/8") paned glass. Maximum allowable pane dimensions vary with gauge and material.



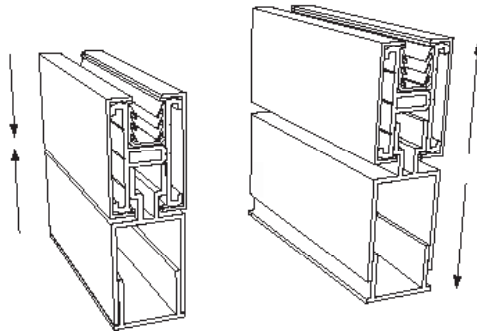
### ATTENTION TO DETAIL

The slight reveals and snug tolerances eliminate uneven aligning and exposed edges at joint conditions (see below) and keep the face plates tight eliminating any rattling.



## FLOOR ADAPTOR ABSORBS SURFACE IMPERFECTIONS

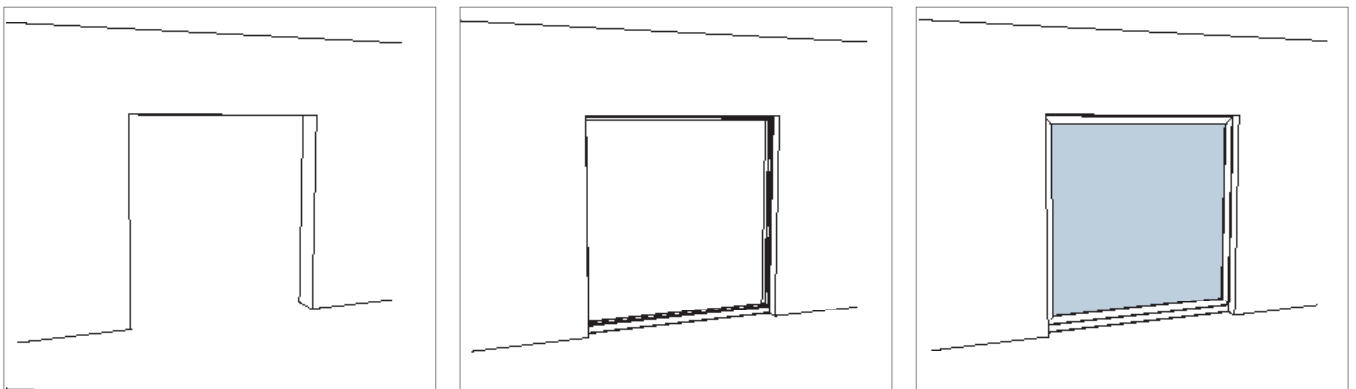
The floor sill and anchor assembly compensate for imperfections in the walls and floor, allowing the system to accommodate to the environment.



## EASE OF INSTALLATION

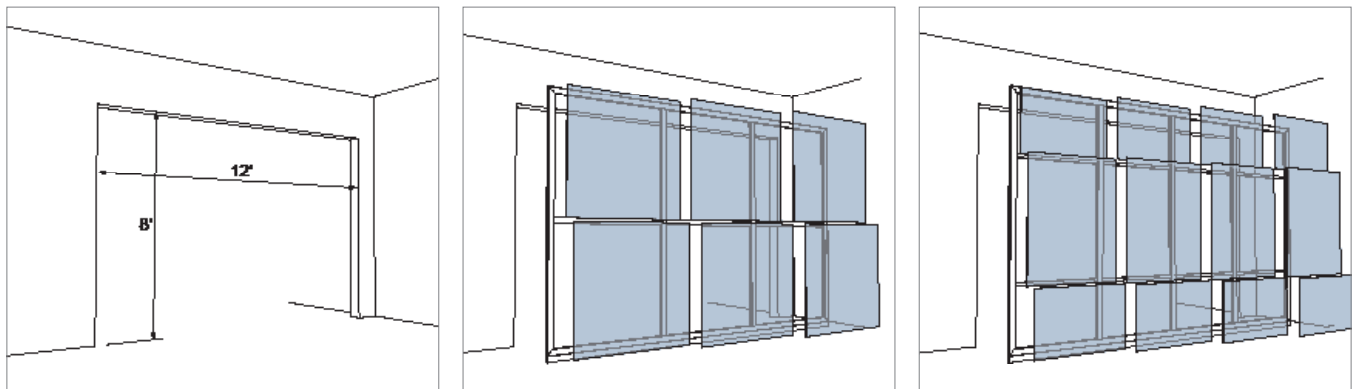
The design of the pieces ensures they fit together easily in a logical assembly sequence reducing installation error and time spent on the job.

In addition, the sequence and 2-part design of the assembly allows for the installation of the system into completely finished enclosures.



## SPECIFICATION

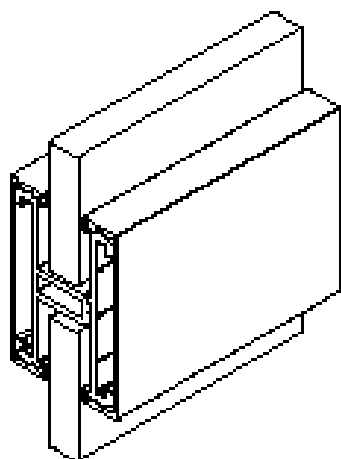
### PANEL LAYOUT AND OVERALL SIZE



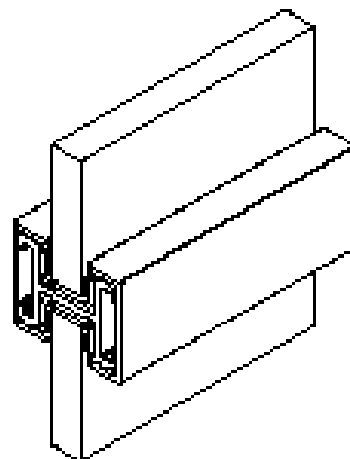
Determine the overall size of frame the opening of the space in which you wish to install your partition or wall and how you would like to configure the panes within the space.

### CHANNEL OPTIONS

3form frame offers 2 different channel conditions. The thicker H-Channel is required for surrounding all glass panes, structural vertical segments (recommended every 1220 mm or 4'), and horizontal spans longer than 1829 mm (6'). For spans 1829 mm (6') or less in a horizontal section or non-structural vertical segments, the smaller mullion is suitable.



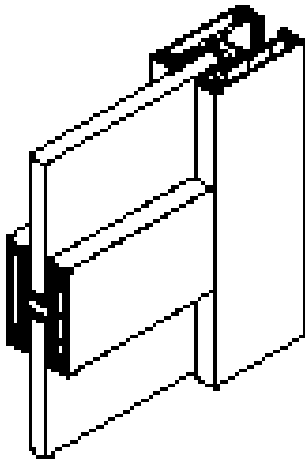
H-Channel



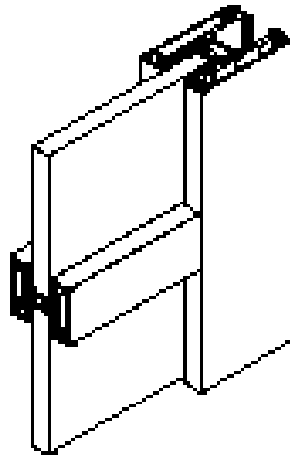
Mullion

## JOINT CONDITIONS

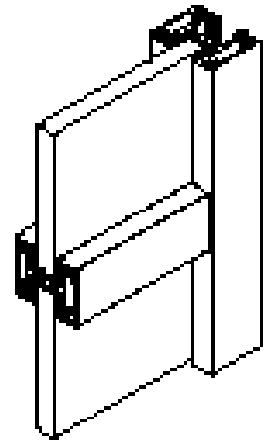
The two primary channel types, the H-Channel and the mullion, create three distinct joint conditions.



H-Channel to H-Channel



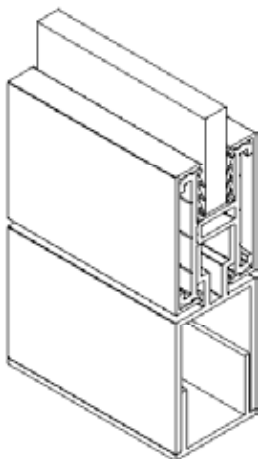
Mullion to H-Channel



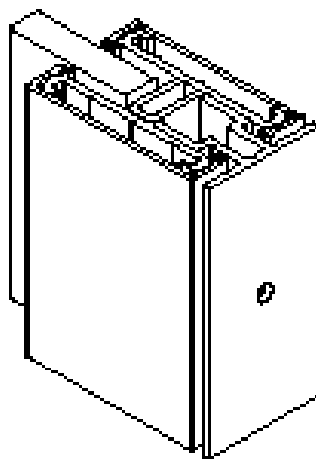
Mullion to Mullion

## EDGE CONDITIONS

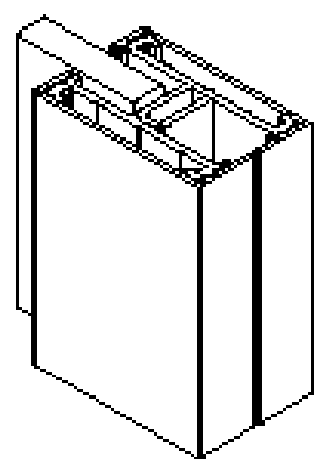
For the perimeter of 3form frame, depending on the edge condition, there are three primary options. A floor adaptor, a wall adaptor, and an optional face reveal cover that creates a slight reveal along an exposed edge.



Floor Sill Adaptor



Wall Adaptor



Face Reveal Cover

## FINISH OPTIONS

3form frame is available in one standard finish



satin natural

## ANCHOR CONDITIONS

3form frame may be attached to wood or concrete with the included fasteners. Please specify substrate condition when submitting quote request.

## TECHNICAL INFORMATION

3form frame is designed to primarily be used in a fully framed situations where it is attached to a rigid substrate on all four sides, including the top. Please keep in mind the following limitations when planning your installation.

### Bottom-Top Attachment

2742 mm (9') Max Height (unlimited length)

### Four Sided Attachment

2742 mm (9') Max Height (unlimited length)

3050 mm (10') Max Height, 3658 mm (12') Max Length

### Panel Size

6 mm (1/4") ecoresin - 1220 x 1829 mm (4' x 6')

6 mm (1/4") Glass – 1220 x 1829 mm (4' x 6') \*

10 mm (3/8") ecoresin – 1220 x 2440 mm (4' x 8')

10 mm (3/8") Glass – 1220 x 1220 mm (4'x 4') \*

\* Total square metre / feet indicated, 2,23 m<sup>2</sup>/24 sq. ft. (6 mm or 1/4" glass) and 1,49 m<sup>2</sup>/16 sq. ft. (10 mm or 3/8" glass), may be accommodated in certain alternate configurations provided the vertical dimension of the pane does not exceed the limits indicated (1829 and 1220 mm respectively).

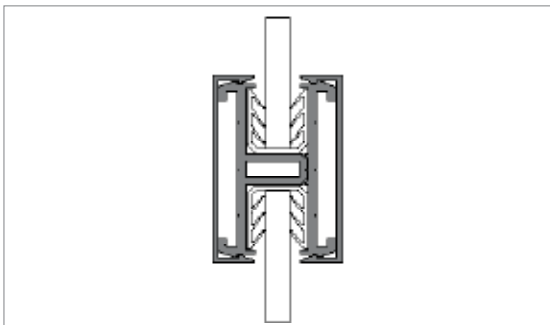
### Mullion Length

1829 mm (6') Max Length

Requires reinforcement at every 1220 mm (4') with H-channel or every 610 mm (2') with mullion channel

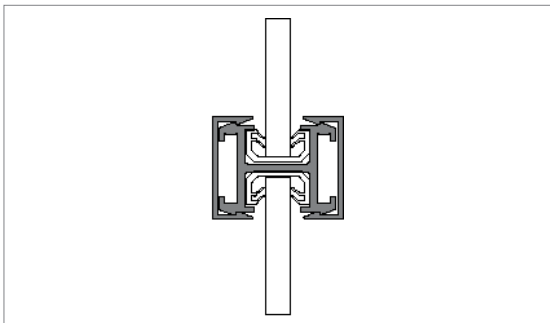
## COMPONENTS

Below are some specifications and dimensions for the primary components & assemblies involved in the system. Additional instructions on installing the system can be found in the installation document.



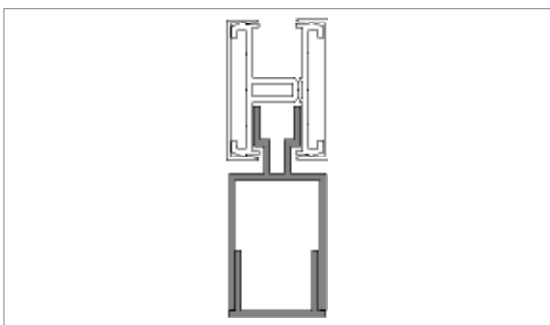
### H-CHANNEL W/FACE COVER

WIDTH	36 MM (1.430 IN)
HEIGHT	54 MM (2.130 IN)
PANEL GAUGE	6 MM & 10 MM (1/4 IN & 3/8 IN)
THICKNESS (FROM PANEL)	12 MM (.465 IN)
CHANNEL DEPTH	19 MM (3/4 IN)



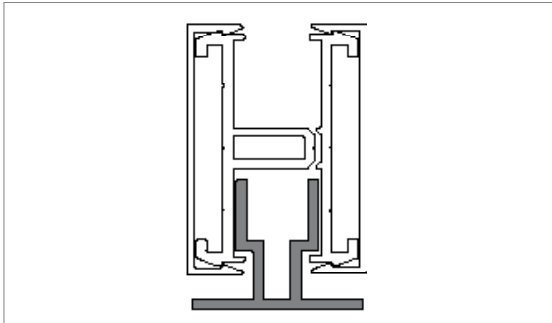
### MULLION W/FACE COVER

WIDTH	35 MM (1.370)
HEIGHT	29 MM (1.130 IN)
PANEL GAUGE	6 MM & 10 MM (1/4 IN & 3/8 IN)
THICKNESS (FROM PANEL)	10 MM (3/8 IN)
CHANNEL DEPTH	10 MM (3/8 IN)



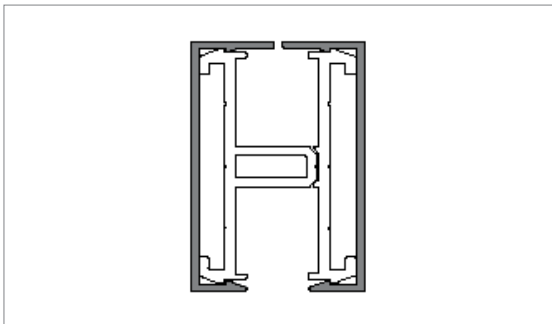
### FLOOR SILL ADAPTOR (SHOWN W/H-CHANNEL)

WIDTH	36 MM (1.430 IN)
VISIBLE HEIGHT	54 MM (2.130 IN)
MAX REVEAL	6 MM (1/4 IN)
ADJUSTMENT	+/- 3 MM (+/- 1/8 IN) *
	+ 25 MM / - 3 MM (+ 7/8 IN / - 1/8 IN)**
	* W/ THE SILL REMAINING FLUSH AGAINST THE ANCHOR
	** USING SPACERS TO LIFT SILL FROM ANCHOR



**WALL ADAPTOR (SHOWN W/H-CHANNEL)**

WIDTH 36 MM (1.430 IN)  
HEIGHT 28 MM (1.100 IN)  
ADJUSTMENT +/- 3 MM (+/- 1/8 IN)



**SIDE REVEAL FACE COVER**

WIDTH 36 MM (1.430 IN)  
HEIGHT 54 MM (2 1/8 IN)  
REVEAL 3 MM (1/8 IN)