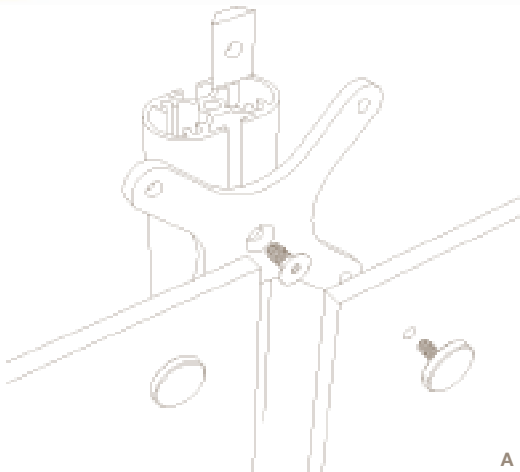






3form® VERSA™

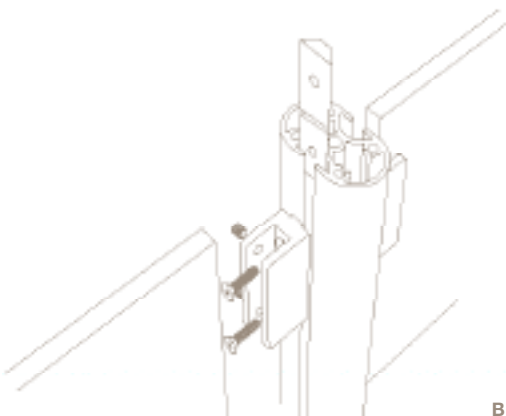
3FORM VERSA IS THE PERFECT ANSWER TO MOBILE AND MOVABLE PARTITIONS. IT INCORPORATES AWARD WINNING MATERIAL FROM 3FORM WITH AN AESTHETICALLY REFINED ALUMINUM EXTRUSION TO CREATE FREE STANDING OR PRESSURE FIT PARTITIONS. WITH THESE TWO OPTIONS AND A VARIETY OF MOUNTING HARDWARE, IT EASILY ADAPTS TO YOUR ENVIRONMENT.



A

material	anodized aluminum and stainless steel
applications	free standing and pressure fit partitions
max height (pressure fit)	3048 mm (10')
max height (free standing)	1829 mm (6')

solutions and full line of components available at www.3form.eu sample configurations shown below:



B



A spider configuration



B bracket configuration

For more information, please visit www.3form.eu or email info@3form.eu or call +31 (0) 88 336 576 00

JANUARY 15TH 3form BV, All rights reserved