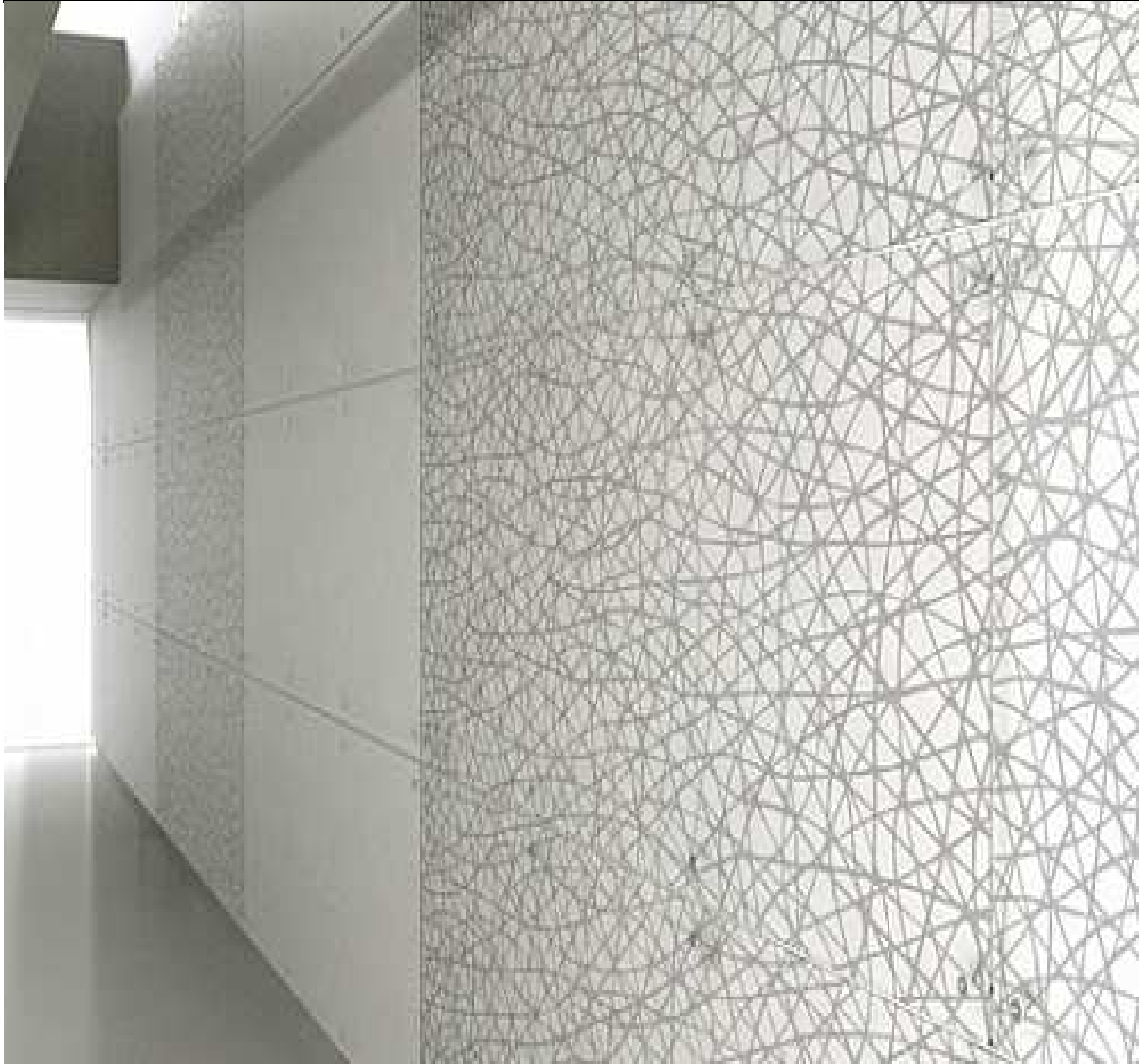


# 3form™ Attachment Solution Document



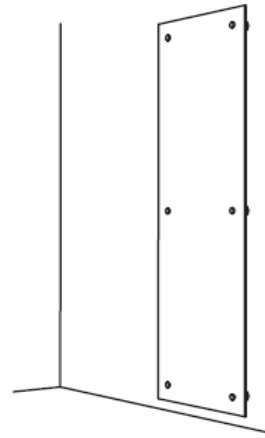
Point Support and Suspension options in elegant anodised aluminium – simple and subtle. 3form Point Support system provide versatile and elegant solutions for affixing 3form materials to a variety of substrates. A range of precision machined components work together as an integrated solution to provide both flexibility and ease of installation. 3form Suspend is a flexible yet refined hardware system engineered specifically for 3form materials that allow you to create your custom suspend solutions.



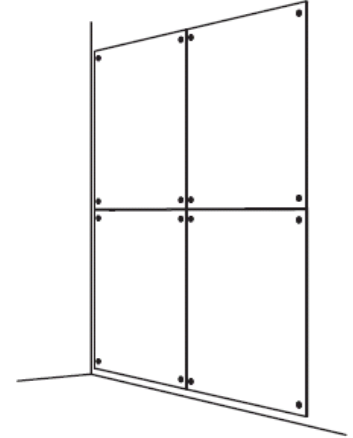
## SOLUTIONS OVERVIEW

The Point Support system is designed to be used with any 3form Varia Ecoresin and Chroma. The Suspend system is designed to be used with up to 9.5mm gauge Varia Ecoresin. The Attachment Hardware Systems are for interior use only.

### POINT SUPPORT

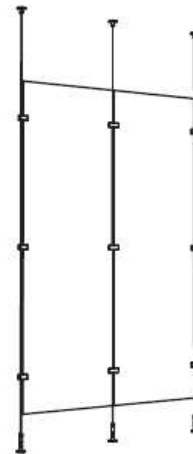


SINGLE PANEL



MULTIPLE PANELS

### SUSPEND

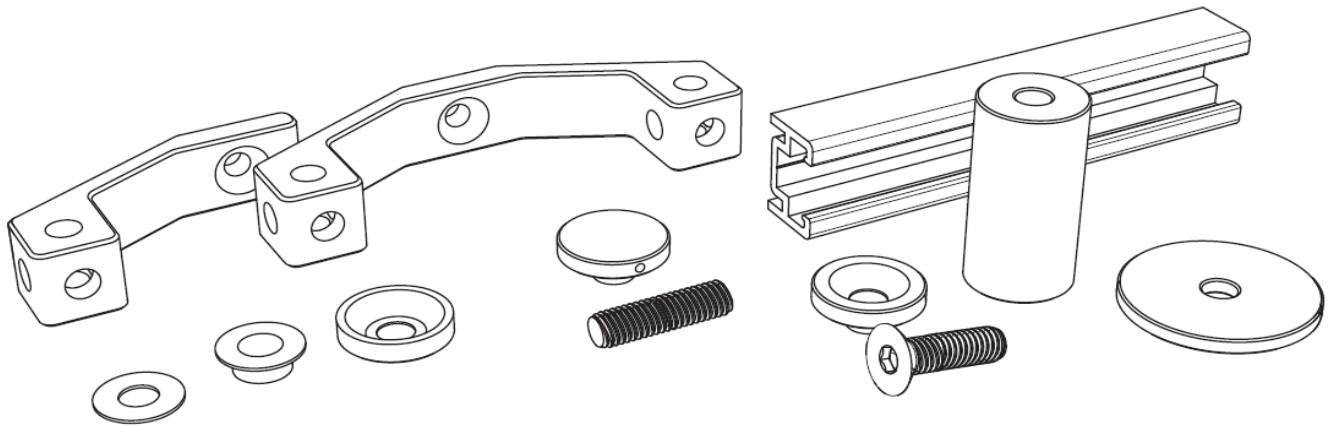


FREE HANGING PANEL



FLOOR FIXED PANEL

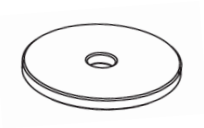
## **POINT SUPPORT**



## POINT SUPPORT: PARTS OVERVIEW



**M8 x 50 STUD**  
A-09-1005  
Stainless steel



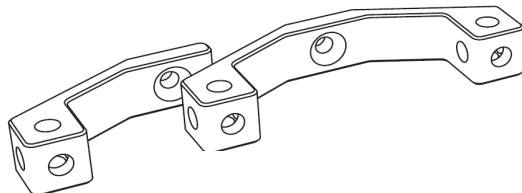
**FLANGE 45MM DIA**  
A-09-1101  
Sandblasted and natural anodized aluminum



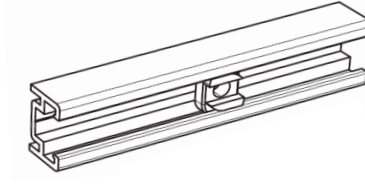
**50MM LONG 25MM DIA BARREL**  
A-09-1102  
Sandblasted and natural anodized aluminum



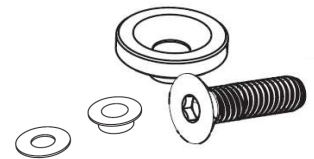
**25MM DIA FLAT FIXING NUT**  
A-09-1105-KE  
Sandblasted and natural anodized aluminum, Stainless steel & Nylon



**SINGLE & DOUBLE SPIDER**  
A-09-1103-KE & A-09-1104-KE  
Sandblasted and natural anodized aluminum



**2.4M FIXING TRACK & FIXING NUT**  
A-09-1001 & A-09-1002  
Natural anodized aluminum

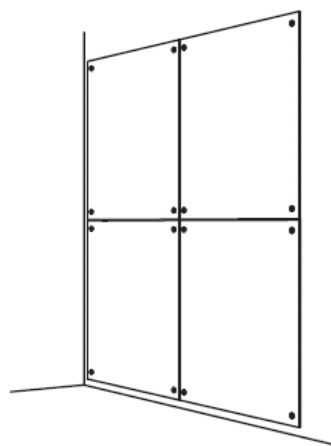


**CSK SCREW FIXING KIT**  
A-09-1106-KE  
Sandblasted and natural anodized aluminum, Stainless steel & Nylon

## POINT SUPPORT: SOLUTIONS OVERVIEW

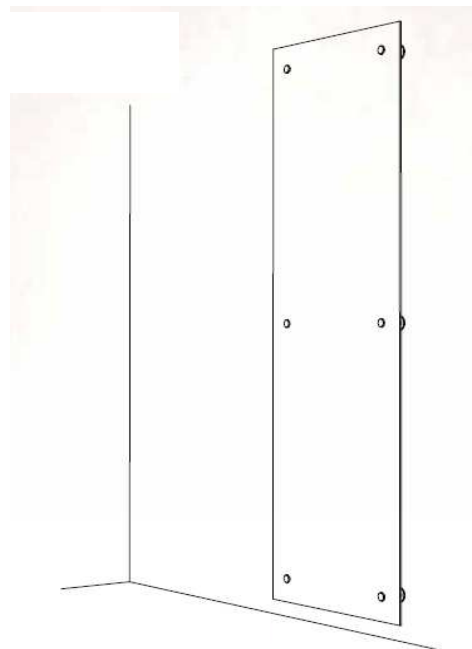
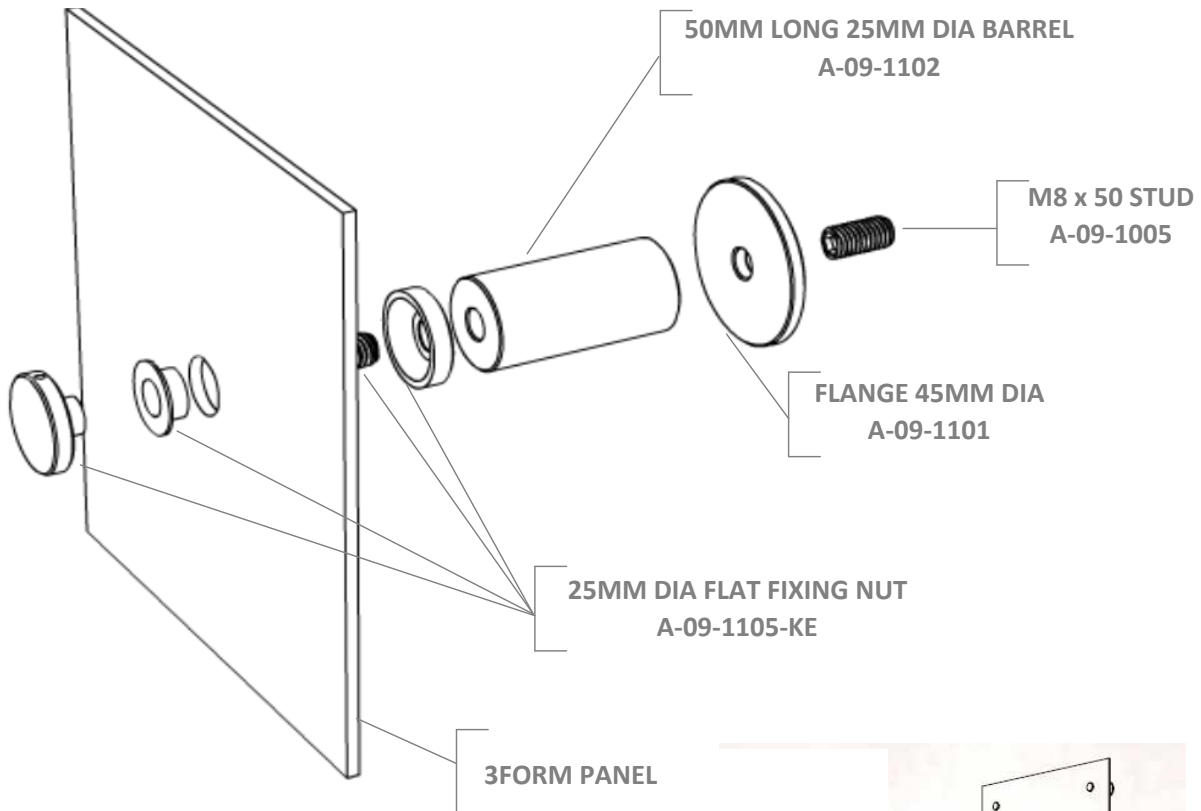


**SINGLE PANEL**



**MULTIPLE PANELS**

## SOLUTION - SINGLE PANEL



### GENERAL INFORMATION

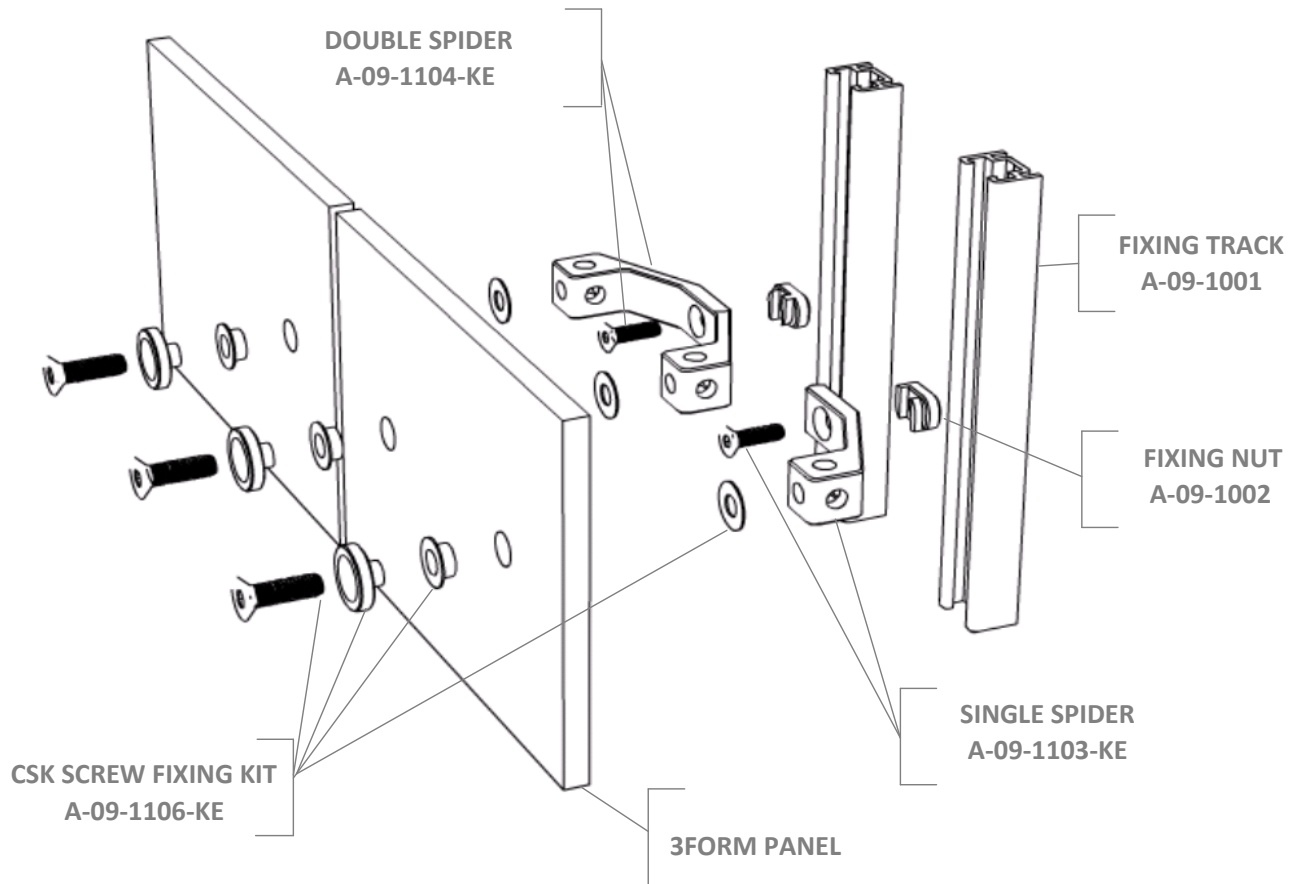
APPLICATION: VERTICAL

COMPATIBILITY: VARIA, CHROMA

# OF ATTACHMENT POINTS: AS PER POINT SUPPORT MATRIX (PAGE 7)

FIXING APPROPRIATE TO WALL TO BE PROVIDED BY INSTALLER.

**SOLUTION - MULTIPLE PANELS**



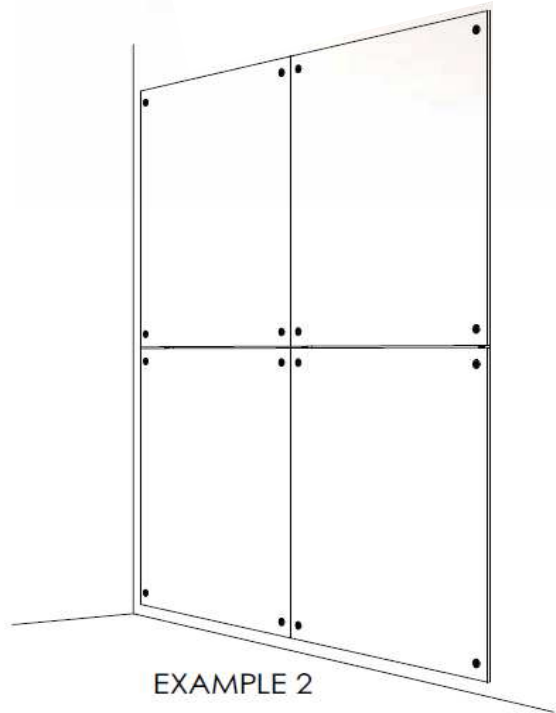
**GENERAL INFORMATION**

APPLICATION: VERTICAL

COMPATIBILITY: VARIA, CHROMA

# OF ATTACHMENT POINTS: AS PER POINT SUPPORT MATRIX (PAGE 7)

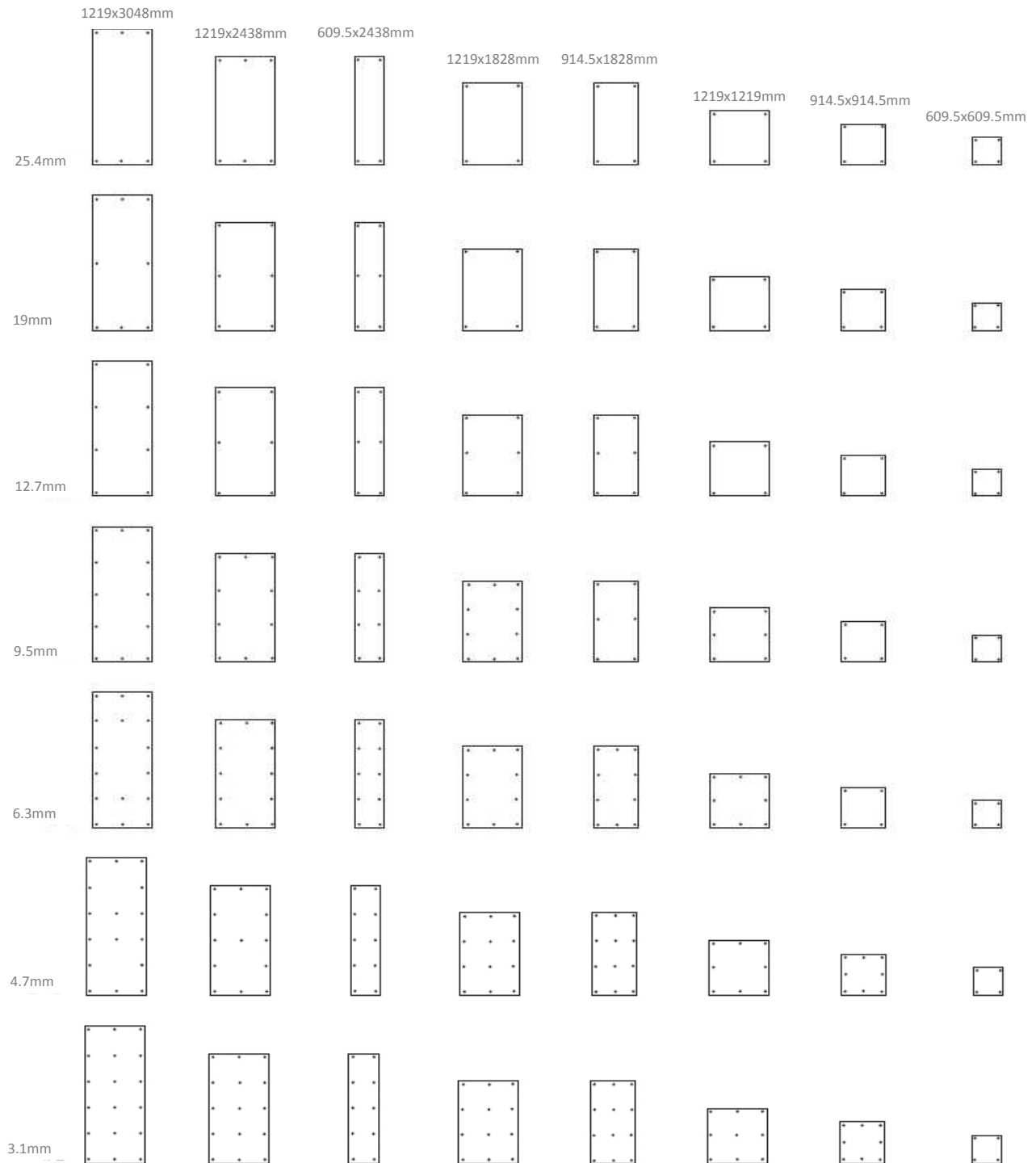
FIXING APPROPRIATE TO WALL TO BE PROVIDED BY INSTALLER.



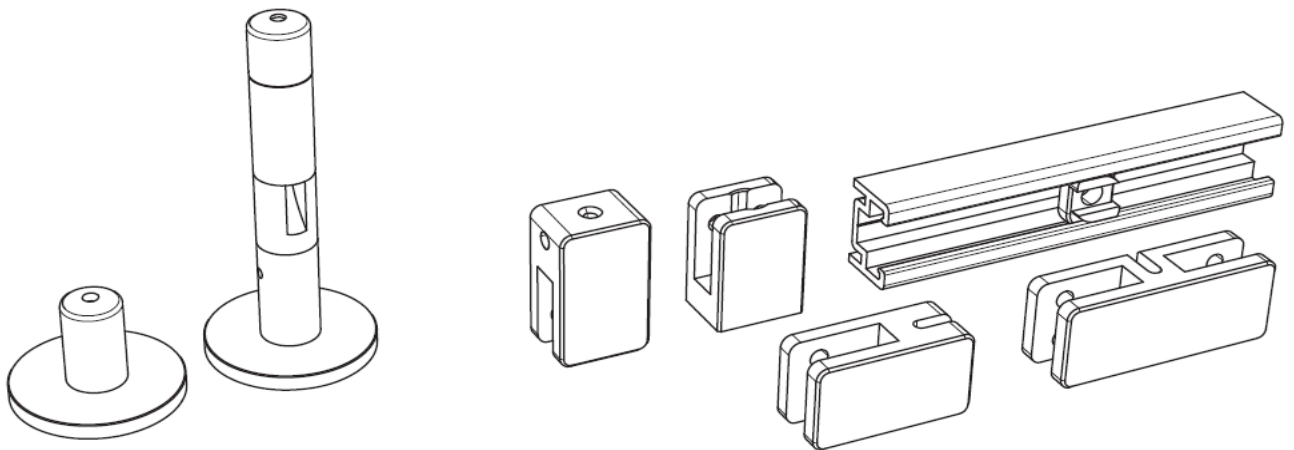
## POINT SUPPORT MATRIX

These standoff patterns take into account both the weight and visible deflection of the different gauges and panel sizes. If the desired panel size is not shown, we suggest using the standoff pattern of the next largest panel size. Certain substrate conditions, barrel lengths, and the use of spiders may require additional point supports.

Note: These standoff patterns are only for vertical surfaces. For horizontal surfaces supports are required in the center of panels or there will be deflection in the panel. These diagrams are for interior only.



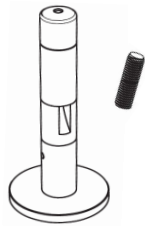
## SUSPEND



## SUSPEND: PARTS OVERVIEW



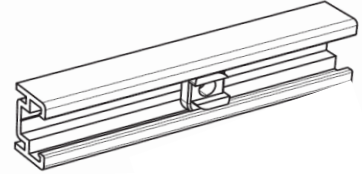
**CABLE END FITTING**  
A-09-1206-KE  
Brass with painted finish



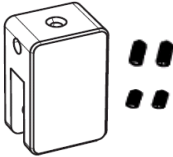
**CABLE TENSIONER**  
A-09-1205-KE  
Brass with painted finish



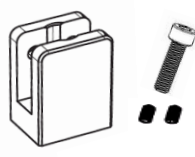
**CABLE 4M 3MM DIA + NIPPLE**  
A-09-1209  
Stainless steel



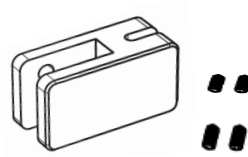
**2.4M FIXING TRACK & FIXING NUT**  
A-09-1001 & A-09-1002  
Natural anodized aluminum



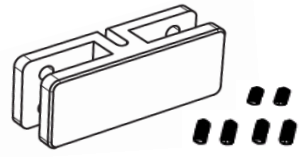
**TOP/BOTTOM FIXING**  
A-09-1201-KE Sandblasted  
and natural anodized aluminum



**SURFACE BRACKET**  
A-09-1202-KE Sandblasted  
and natural anodized aluminum

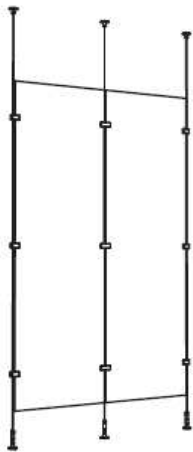


**SINGLE PANEL CONNECTOR**  
A-09-1203-KE  
Sandblasted and natural anodized aluminum



**DOUBLE PANEL CONNECTOR**  
A-09-1204-KE  
Sandblasted and natural anodized aluminum

## SUSPEND: SOLUTIONS OVERVIEW

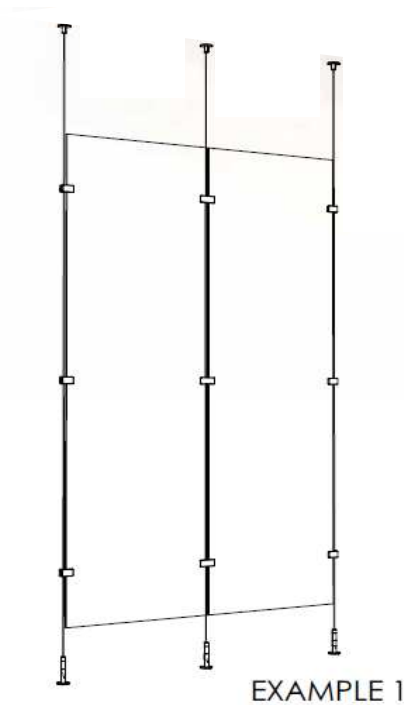
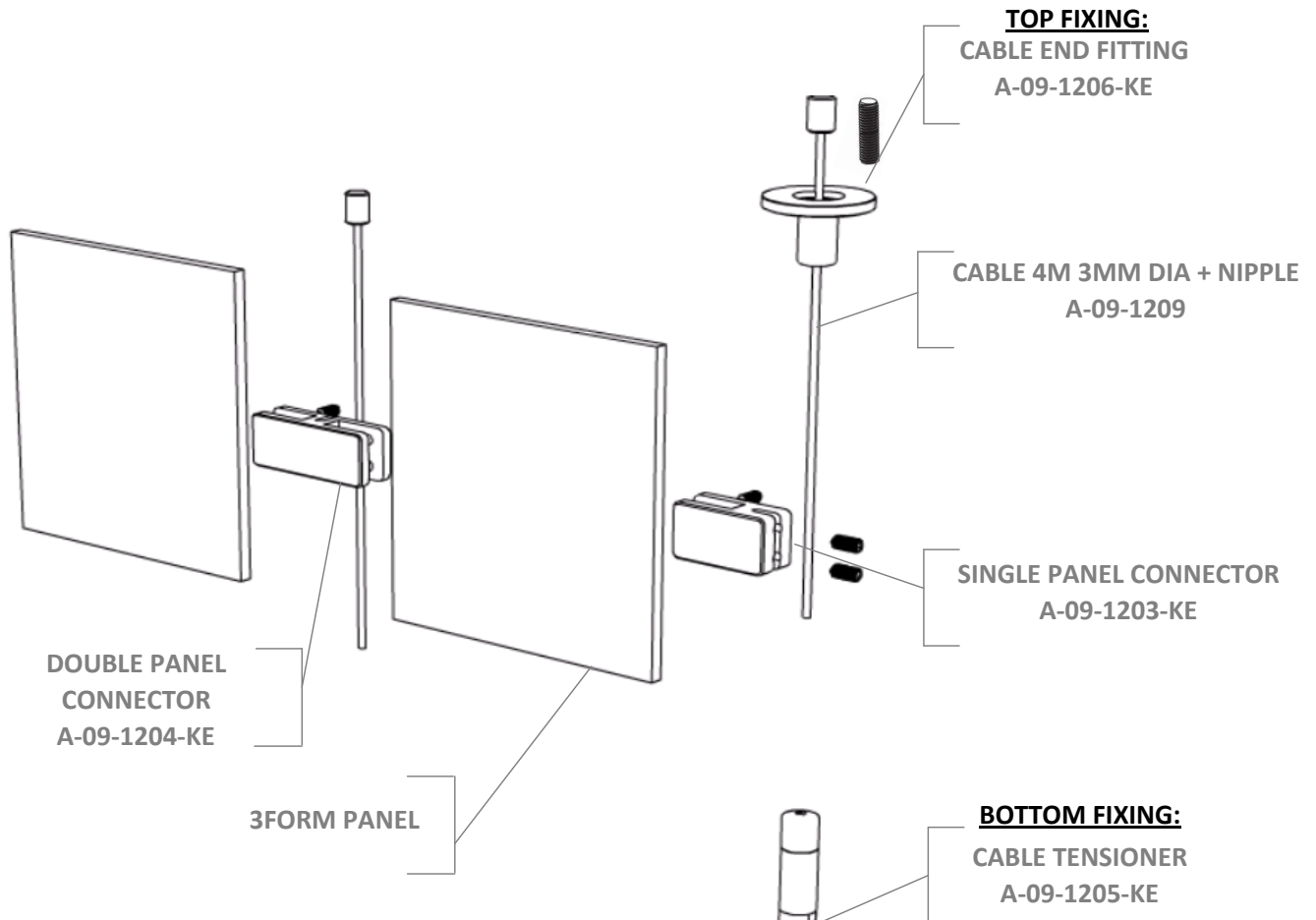


**FREE HANGING**



**FLOOR FIXED**

## SOLUTION - FREE HANGING PANEL



### GENERAL INFORMATION

APPLICATION: VERTICAL

COMPATIBILITY: VARIA UP TO 9.5MM GAUGE

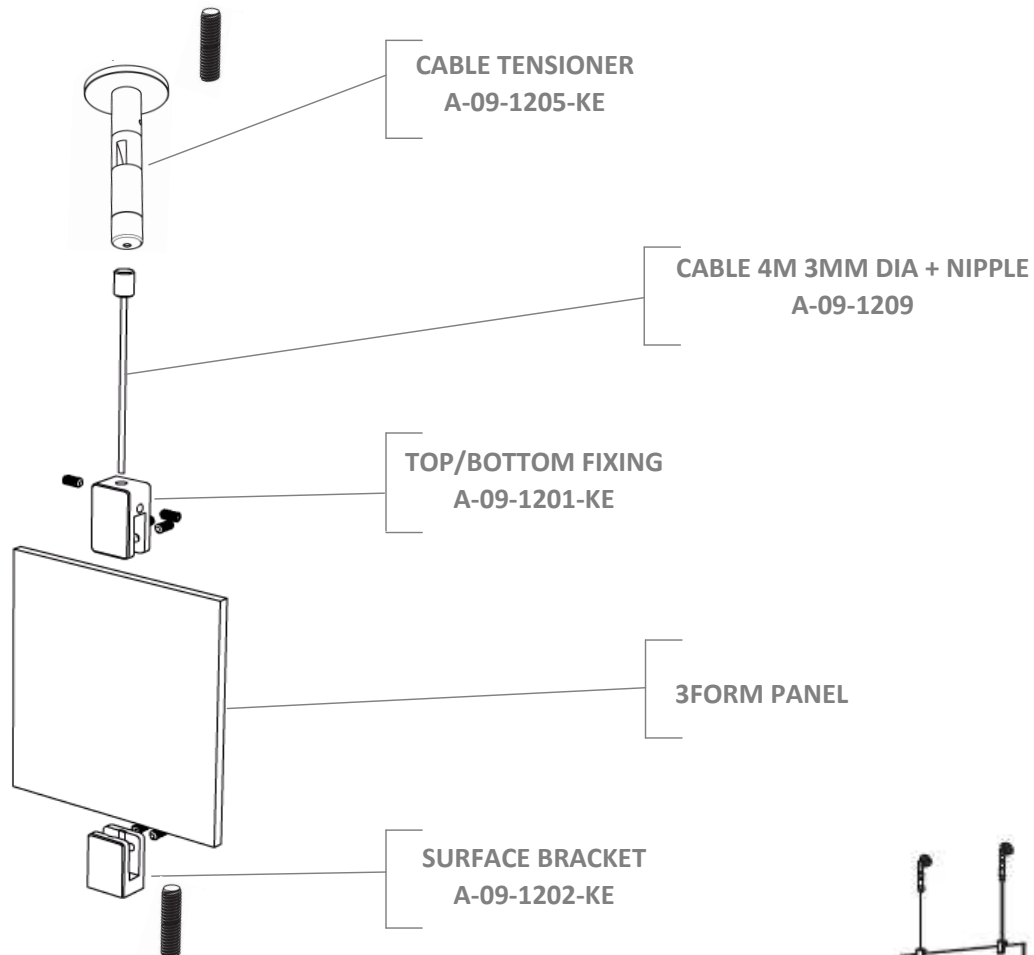
MAXIMUM WEIGTH PER 3M CABLE: 70-90KGS

MAXIMUM WEIGTH PER PANEL CONNECTOR: 22.5KGS

FOR PANEL CONNECTORS DRILL THROUGH FIXING IS REQUIRED WITH M6 GRUB SCREWS (DELIVERED WITH THE HARDWARE KIT).

FIXING APPROPRIATE TO FLOOR/CELING TO BE PROVIDED BY INSTALLER.

**SOLUTION - FLOOR FIXED PANEL**



**GENERAL INFORMATION**

APPLICATION: VERTICAL

COMPATIBILITY: VARIA UP TO 9.5MM GAUGE

MAXIMUM WEIGTH PER 3M CABLE: 70-90KGS

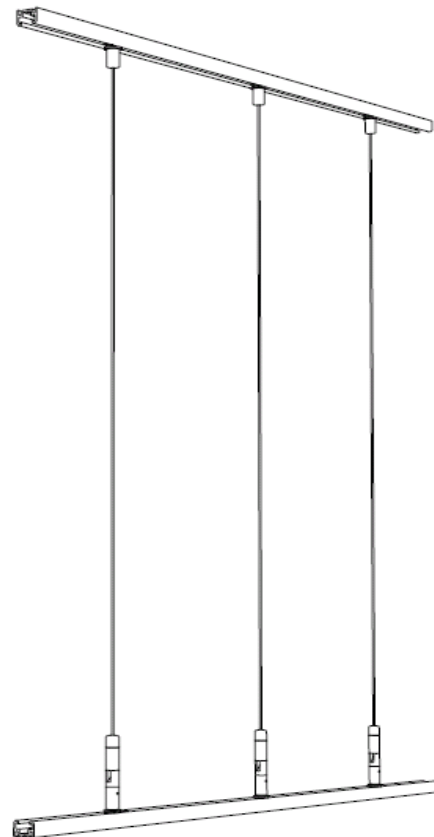
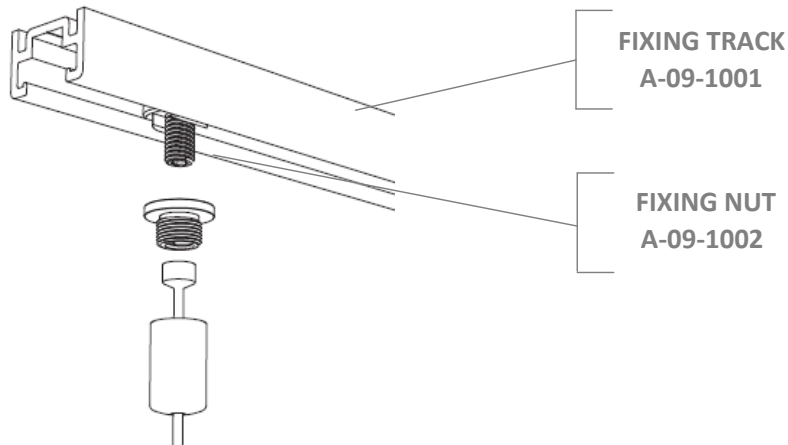
MAXIUMUM WEIGTH PER PANEL TOP/BOTTOM FIXING:  
32KGS

FOR TOP/BOTTOM FIXING AND SURFACE BRACKET DRILL  
THROUGH FIXING IS REQUIRED WITH M6 GRUB SCREWS  
(DELIVERED WITH THE HARDWARE KIT).

FIXING APPROPRIATE TO FLOOR/CEILING TO BE  
PROVIDED BY INSTALLER.

## SOLUTION - SUSPENDED PANELS WITH FIXING TRACK

In case support is not available where needed or flexible installation is required, Fixing tracks can be used in combination with the suspend hardware solutions. Fixing tracks with fixing nuts can be used with the top or bottom fixing only, or for both.



### GENERAL INFORMATION

APPLICATION: VERTICAL

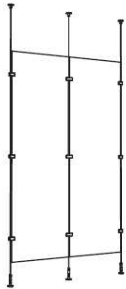
FIXING APPROPRIATE TO FLOOR/CEILING TO BE PROVIDED BY INSTALLER.

## SUSPEND MATRIX

These suspension guidelines take into account both the weight and rigidity of the different gauges and panel sizes. Certain substrate conditions may require additional supports.

Note: These suspend patterns are only for vertical surfaces and for interior only.

### FREE HANGING PANEL



Below table shows the number of panel connectors required per side

PANEL GAUGE	PANEL HEIGHT		
	up to 1524mm	1525-2438mm	2439-3048mm
3.1mm	2	3	4
4.7mm	2	3	4
6.3mm	2	3	3
9.5mm	2	3	3

### FLOOR FIXED PANEL



Below table shows the number of Top/Bottom Fixings required per width

PANEL GAUGE	PANEL WIDTH	
	up to 600mm	601-1219mm
3.1mm	2	3
4.7mm	2	3
6.3mm	2	2
9.5mm	2	2