



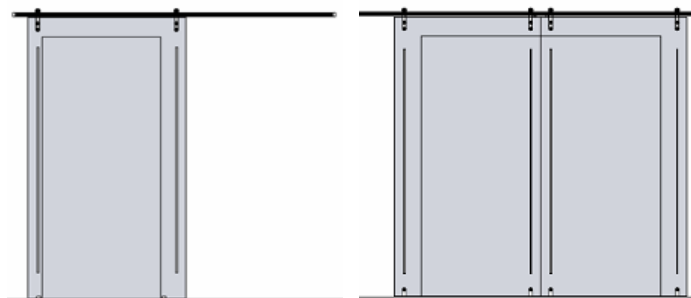
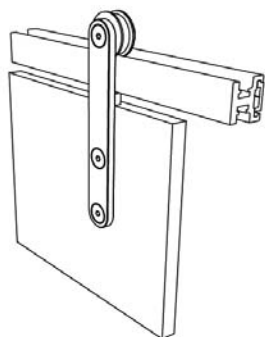
Precision engineered sliding door systems for Varia and Chroma – versatile, well designed. Slide Exposed with large exposed rollers provide an exceptionally smooth running wall mounted system for single or biparting doors. The Exposed Curve version is there for any wall mounted sliding panel application for curved walls. At Slide concealed, anodised aluminium valences conceal a high quality roller system supporting single, biparting or even bypassing doors for both wall and ceilings mounting.



SOLUTIONS OVERVIEW

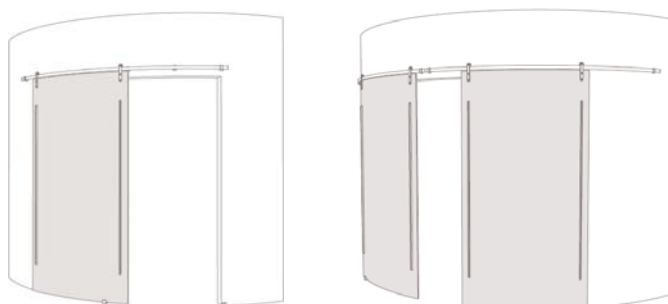
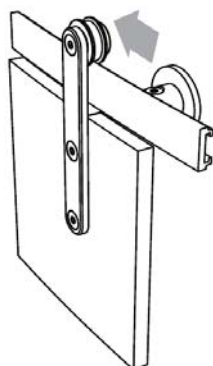
The sliding door systems Exposed, Exposed Curve and Concealed are designed to be used with 12.7 mm gauge Varia Ecoresin or Chroma up to 3 m² in size.

SLIDE EXPOSED



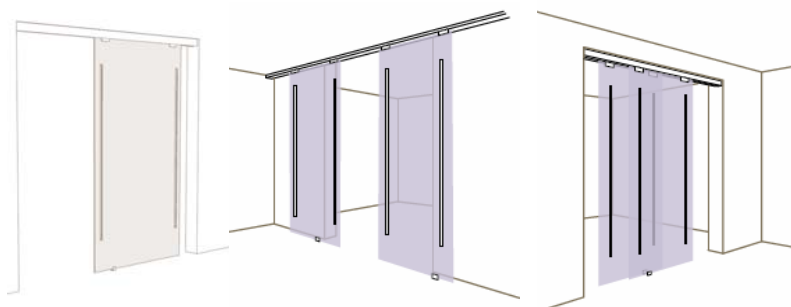
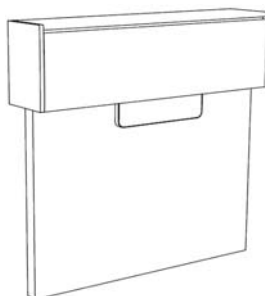
WALL MOUNTED SINGLE OR BIPARTING DOORS

SLIDE EXPOSED CURVE



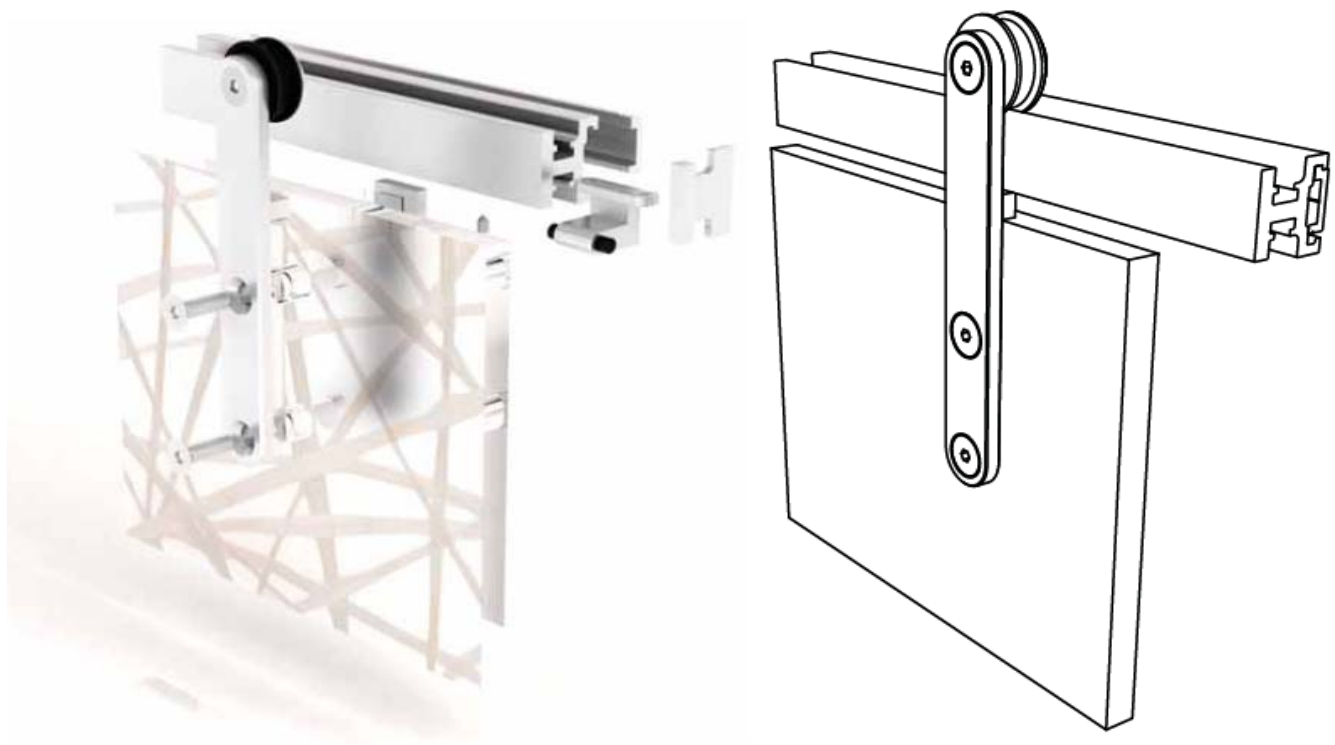
WALL MOUNTED SINGLE OR BIPARTING DOORS

SLIDE CONCEALED

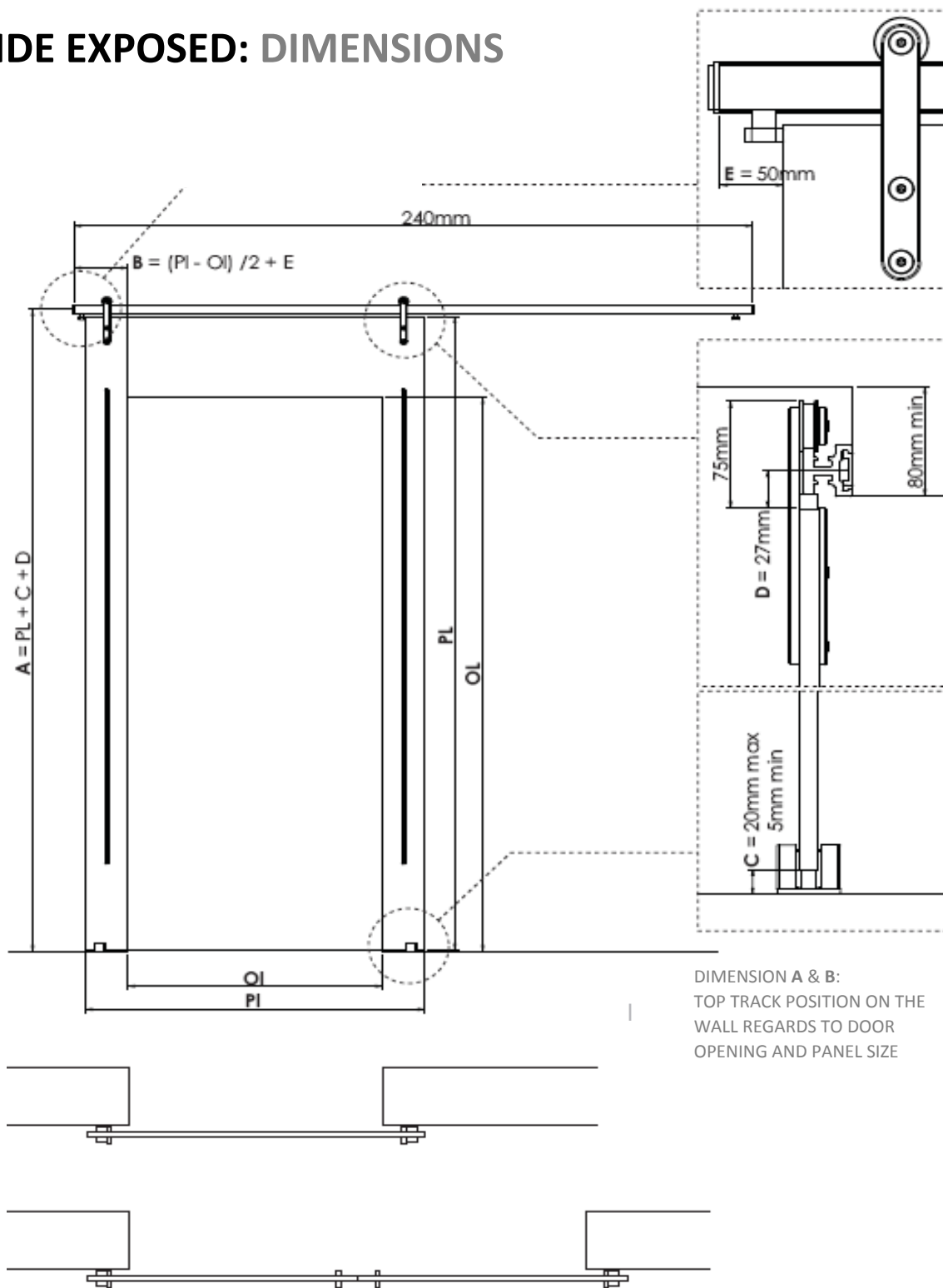


WALL OR CEILING MOUNTED SINGLE, BIPARTING OR BYPASSING DOORS

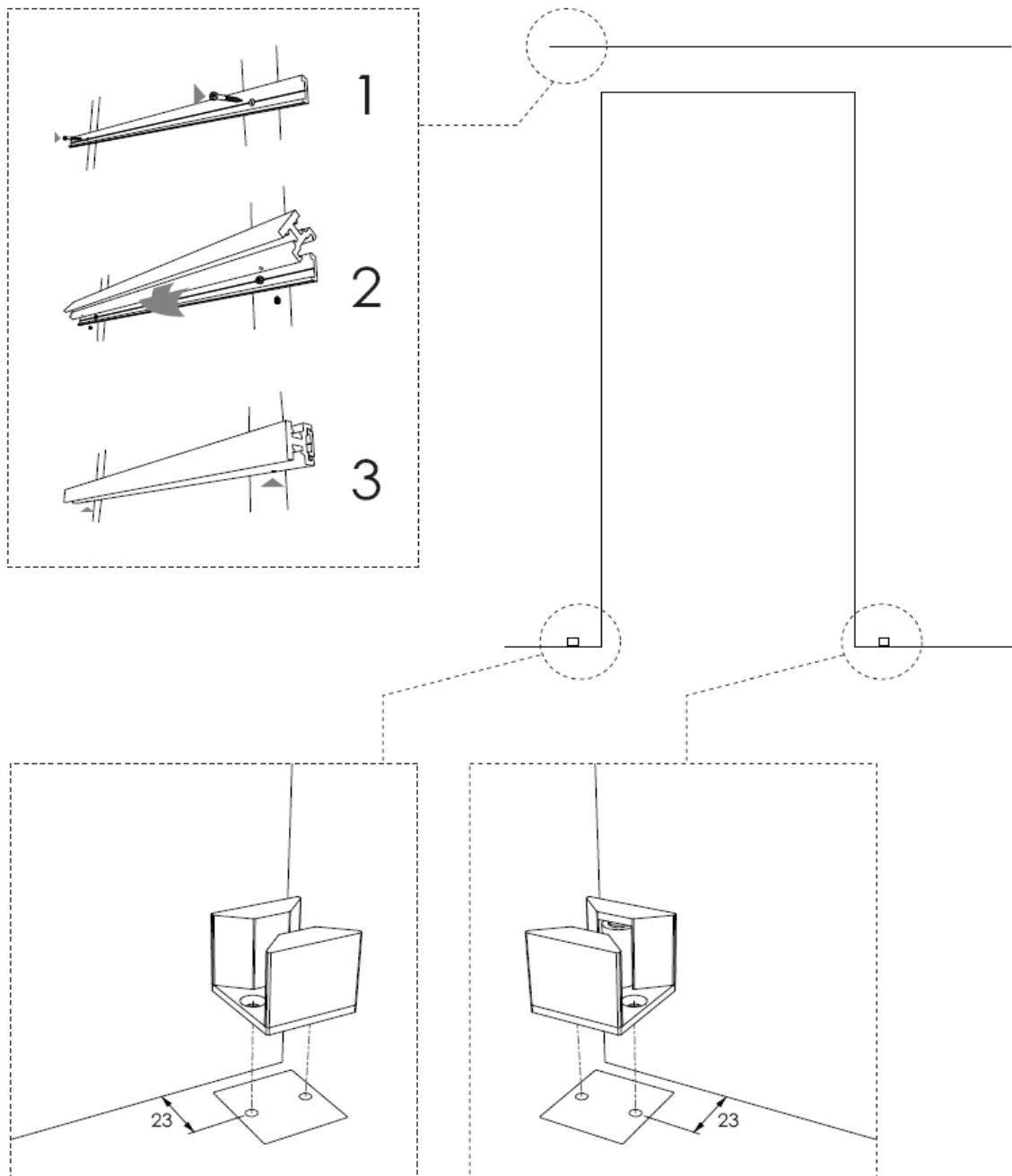
SLIDE EXPOSED



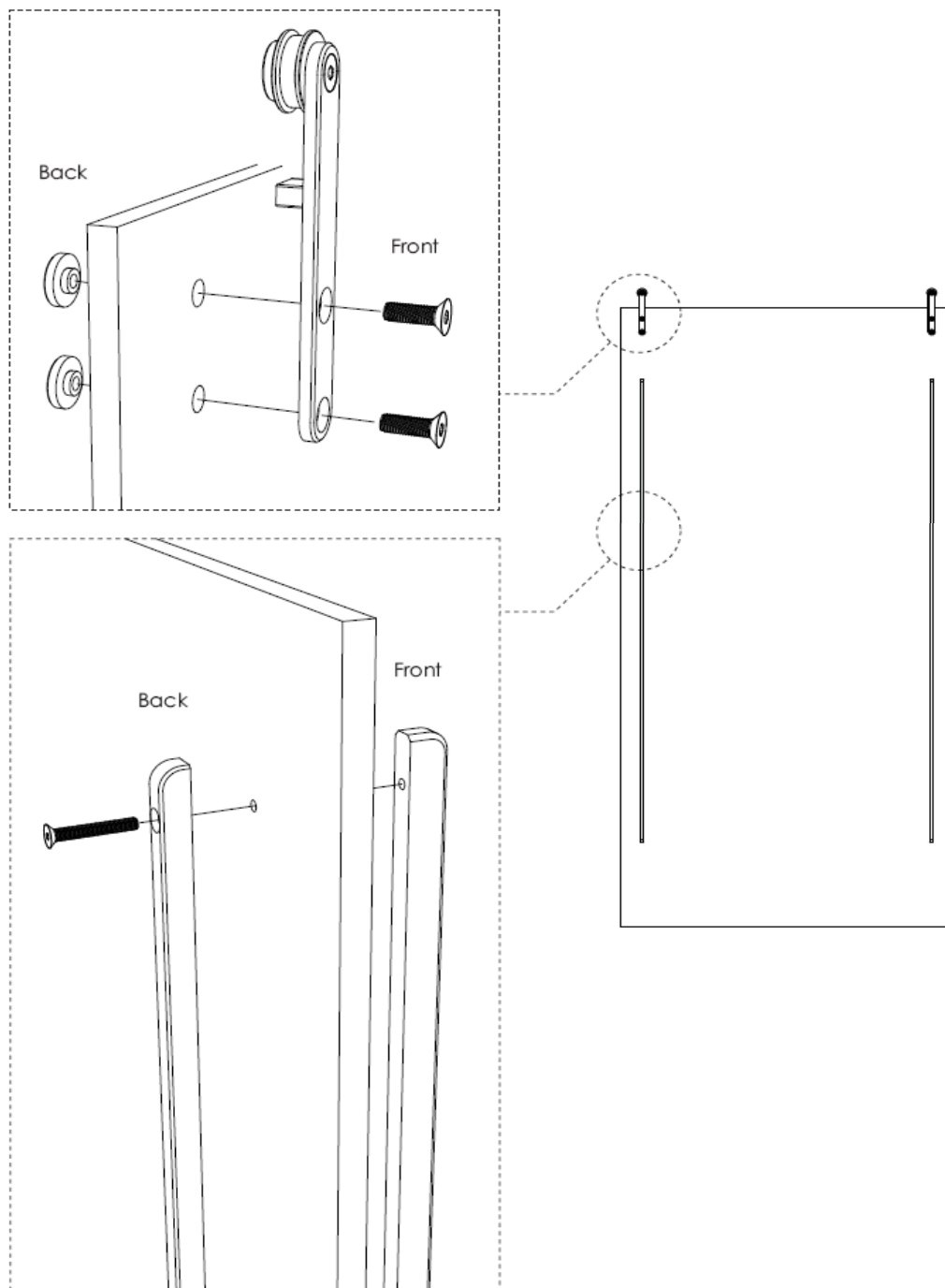
SLIDE EXPOSED: DIMENSIONS



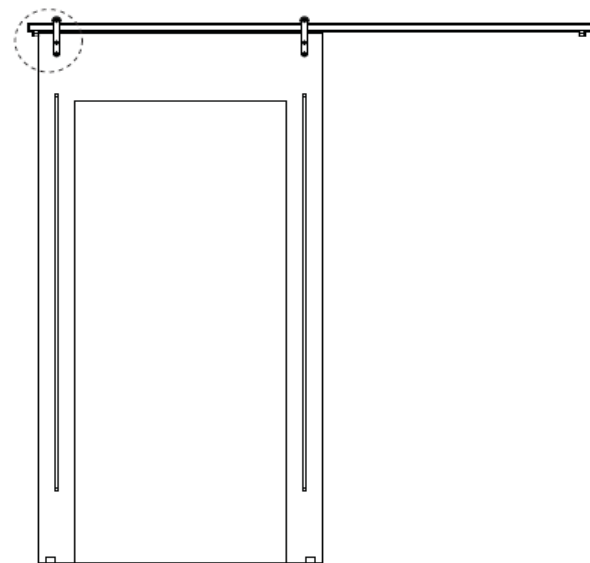
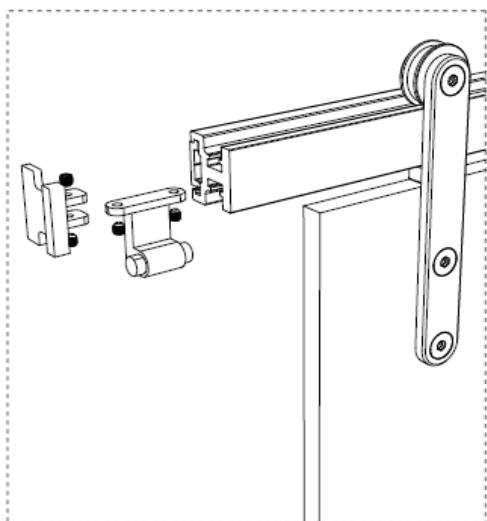
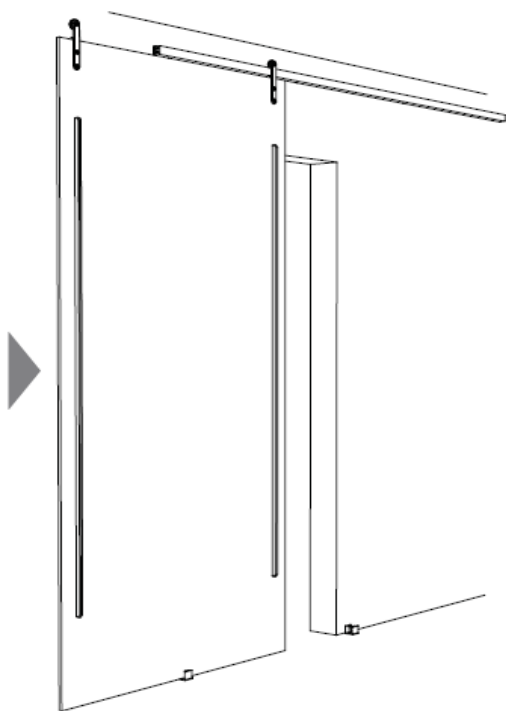
SLIDE EXPOSED: INSTALLATION



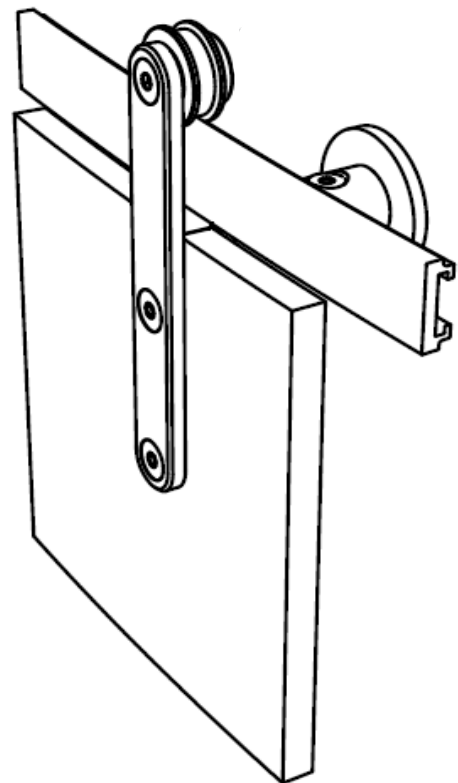
SLIDE EXPOSED: INSTALLATION



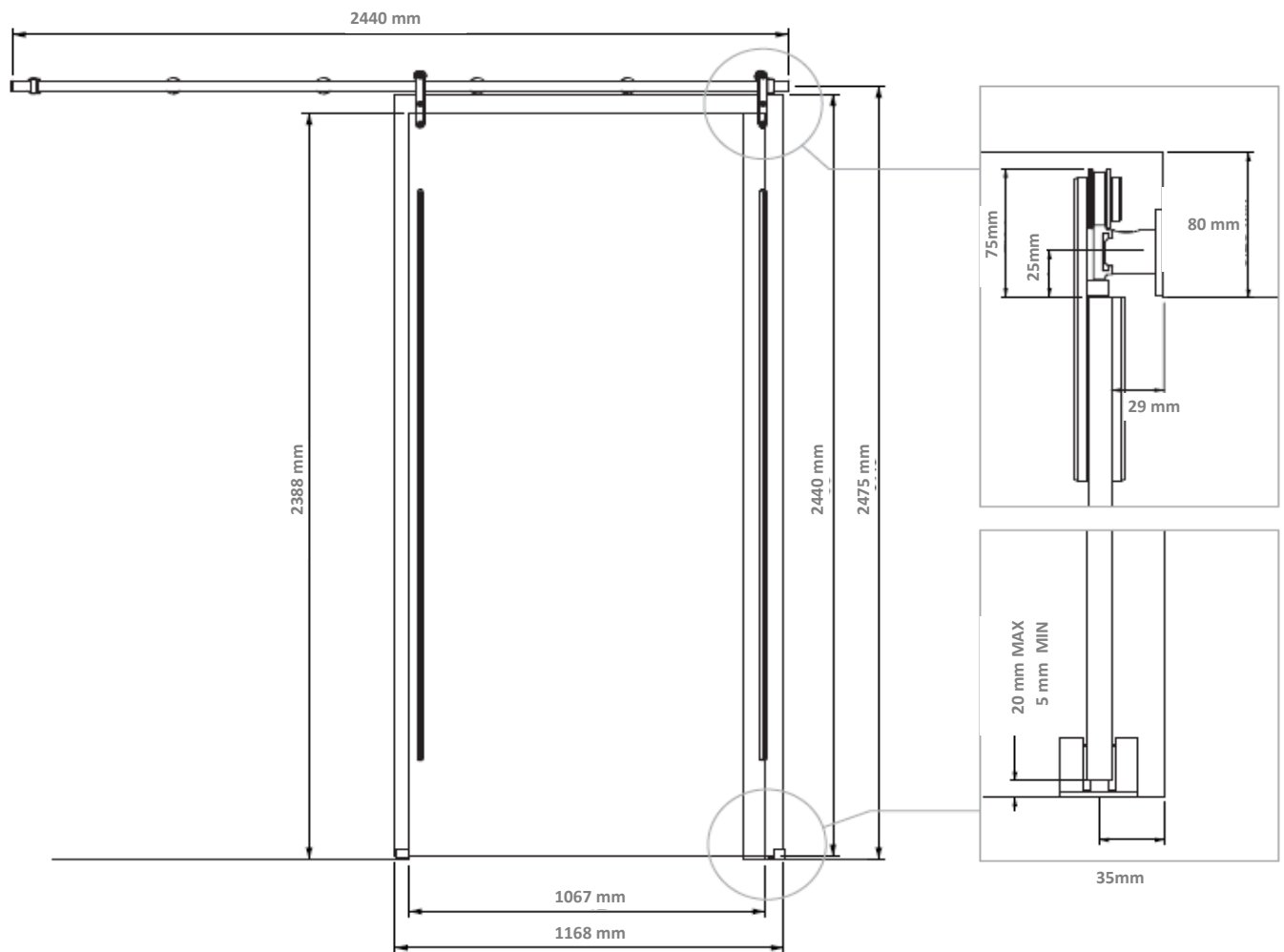
SLIDE EXPOSED: INSTALLATION



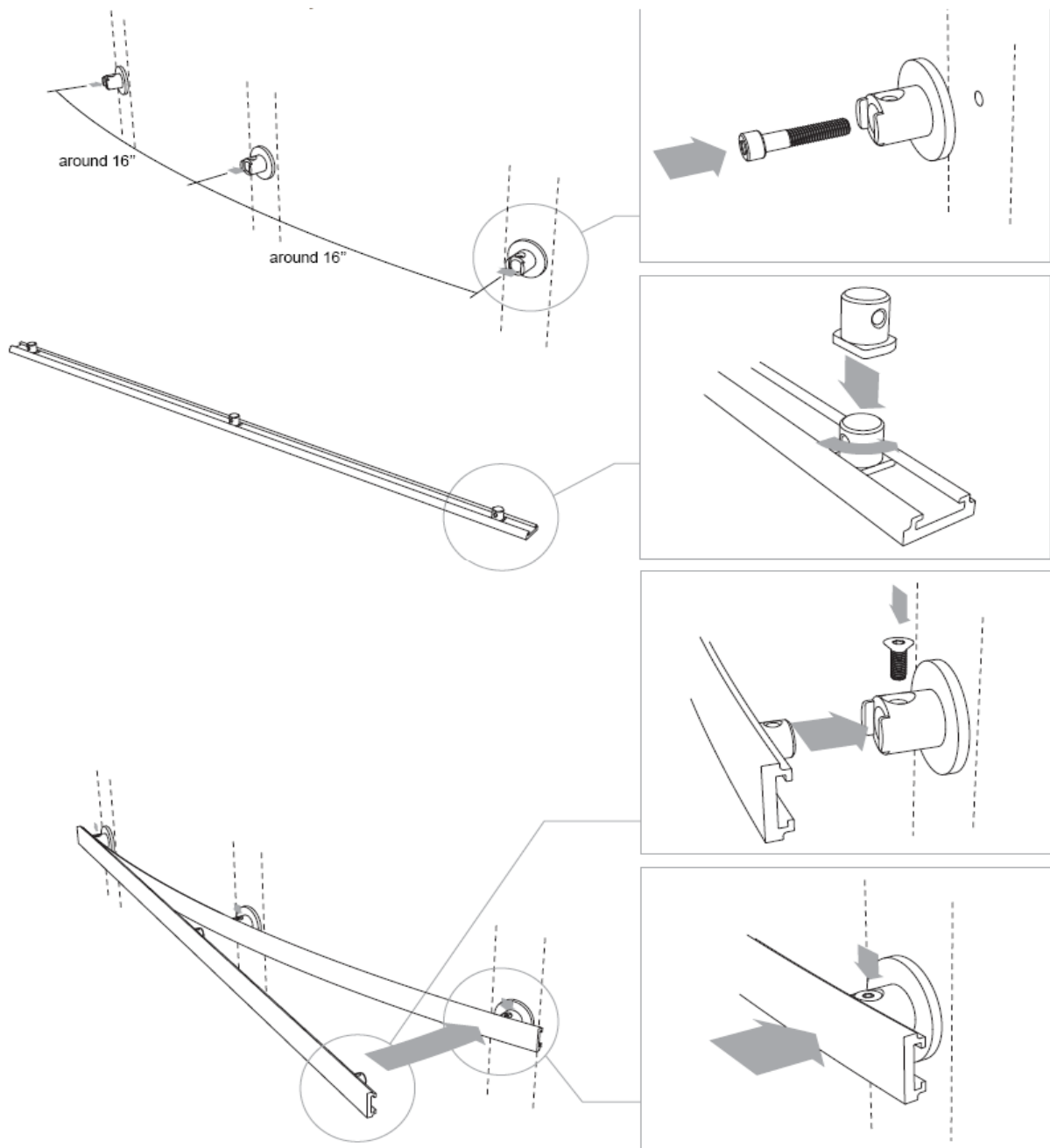
SLIDE EXPOSED CURVE



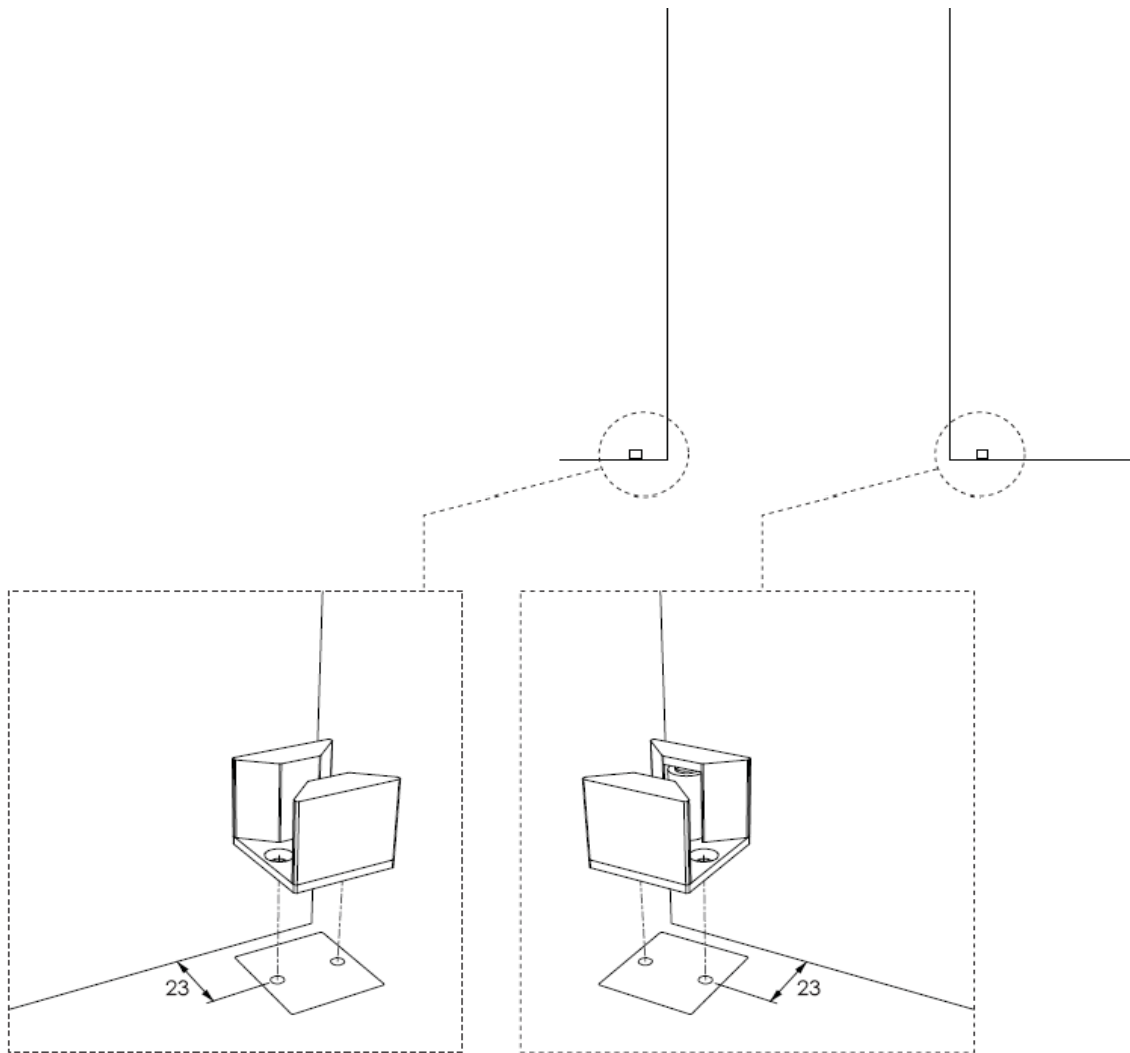
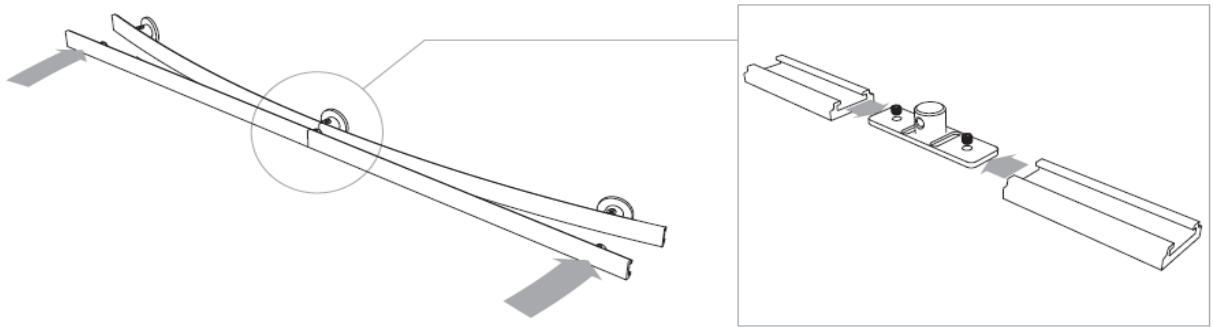
SLIDE EXPOSED CURVE: DIMENSIONS



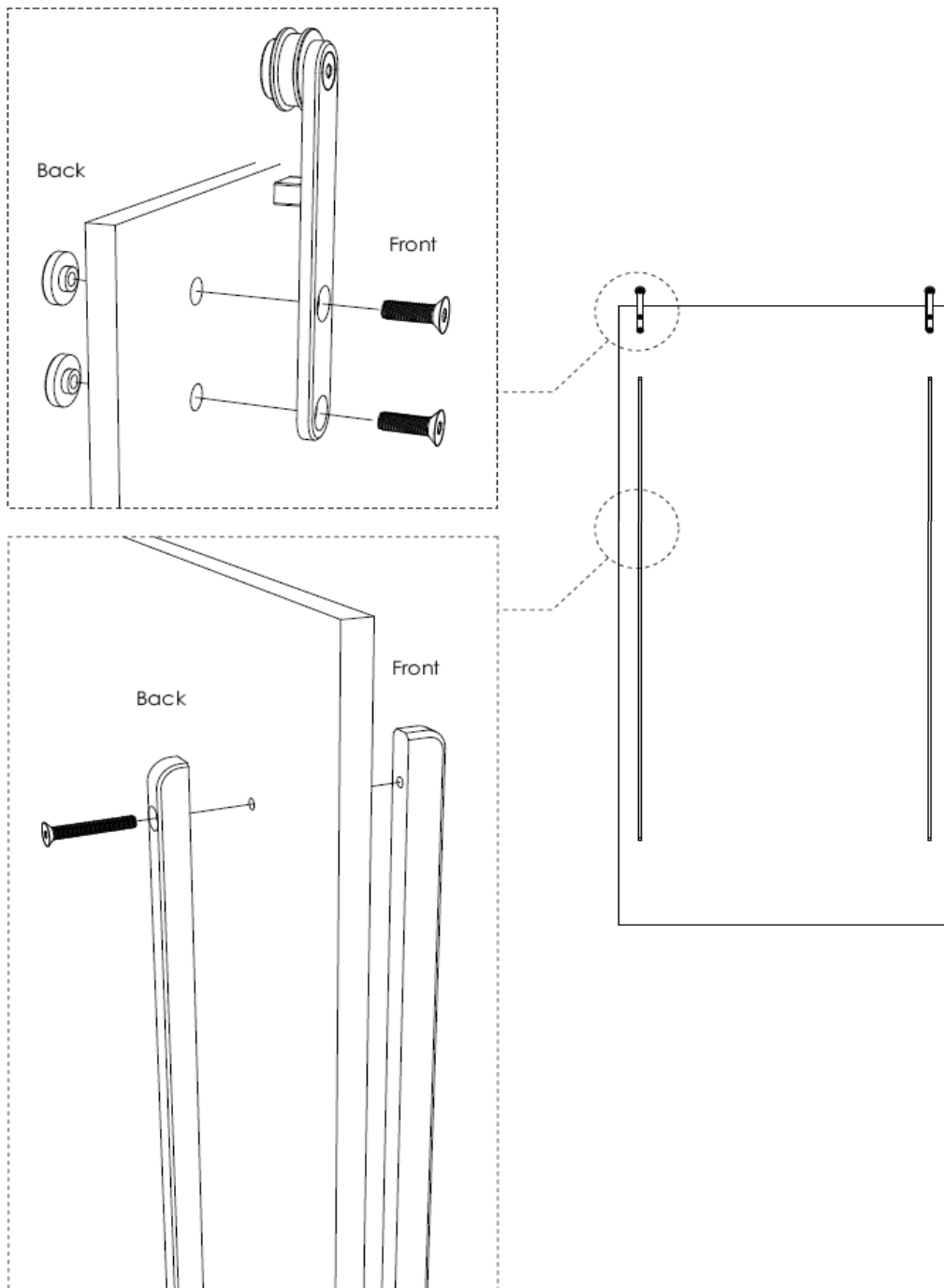
SLIDE EXPOSED CURVE: INSTALLATION



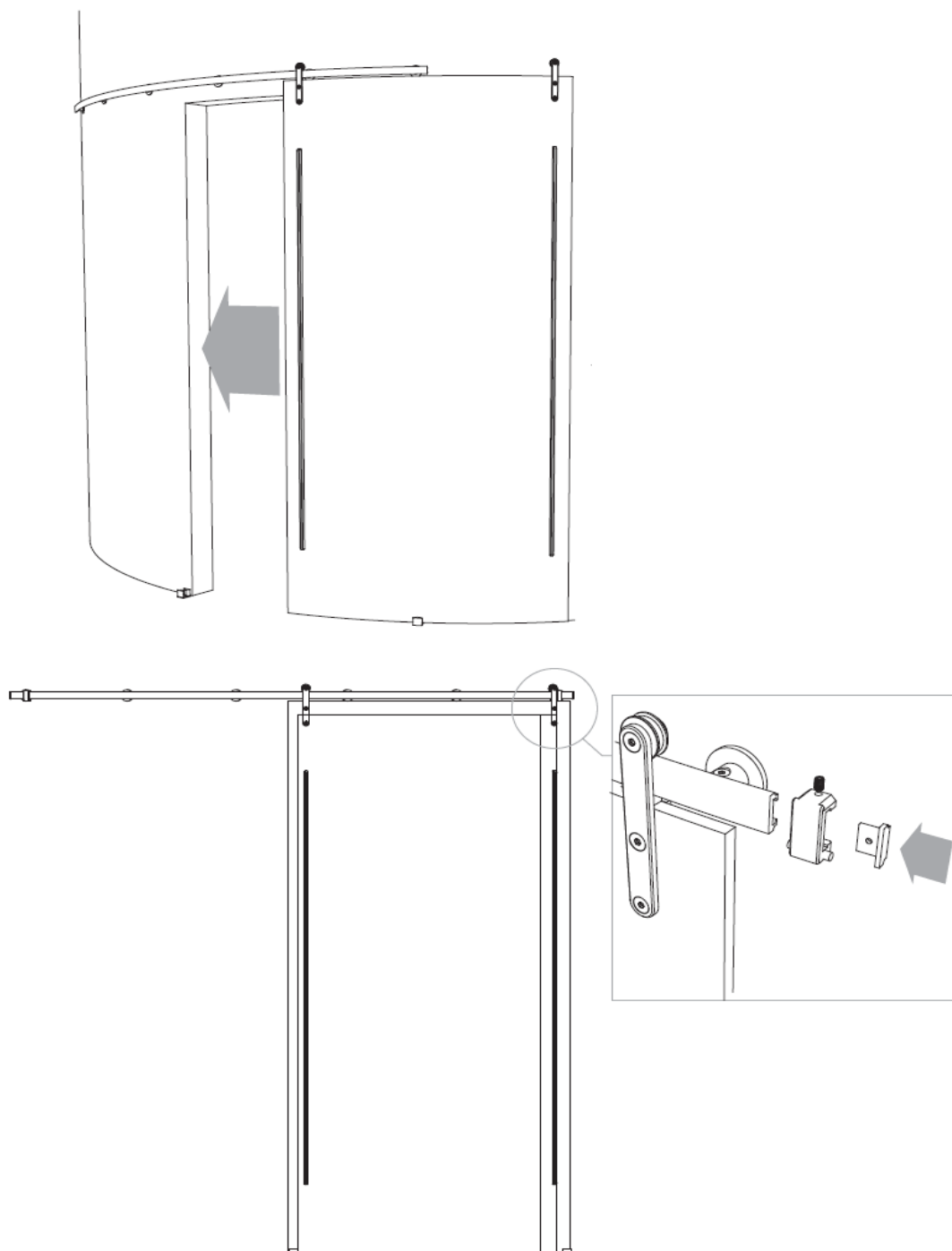
SLIDE EXPOSED CURVE: INSTALLATION



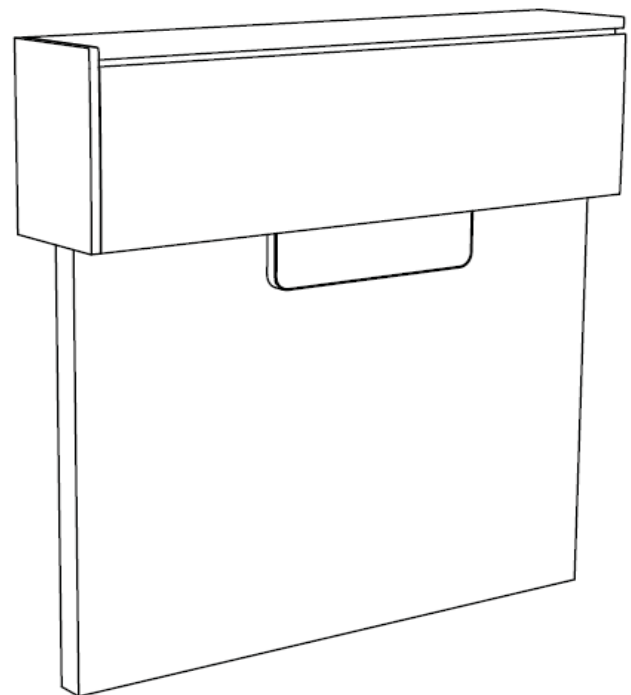
SLIDE EXPOSED CURVE: INSTALLATION



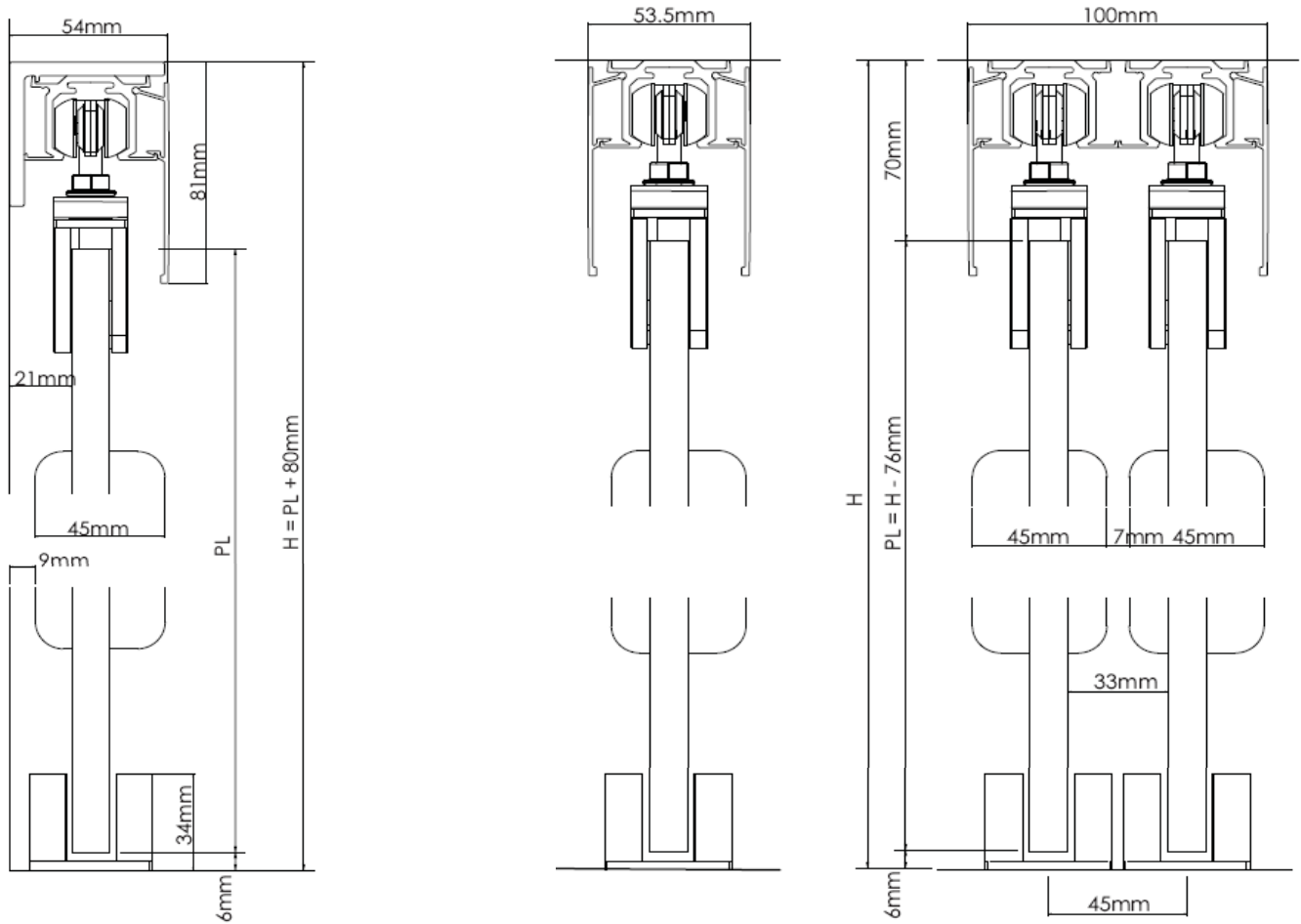
SLIDE EXPOSED CURVE: INSTALLATION



SLIDE CONCEALED



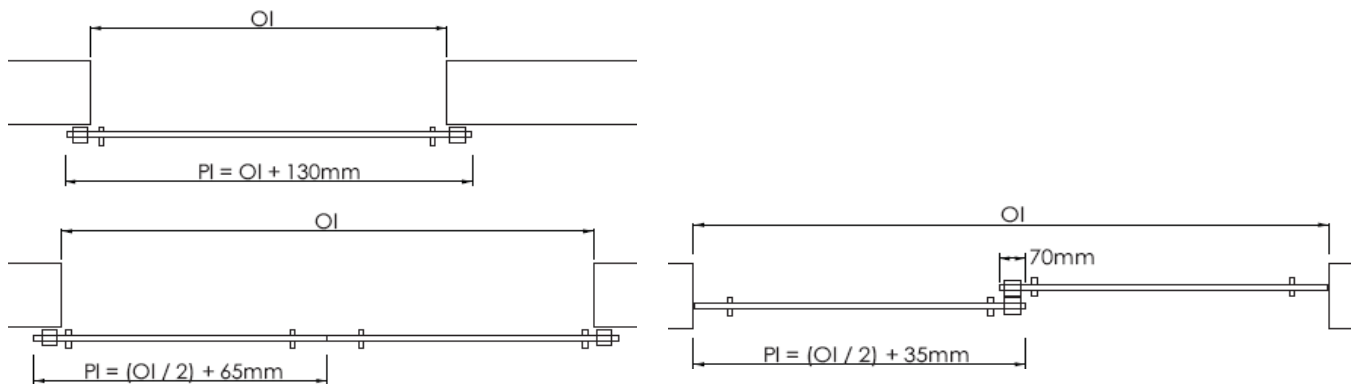
SLIDE CONCEALED: DIMENSIONS



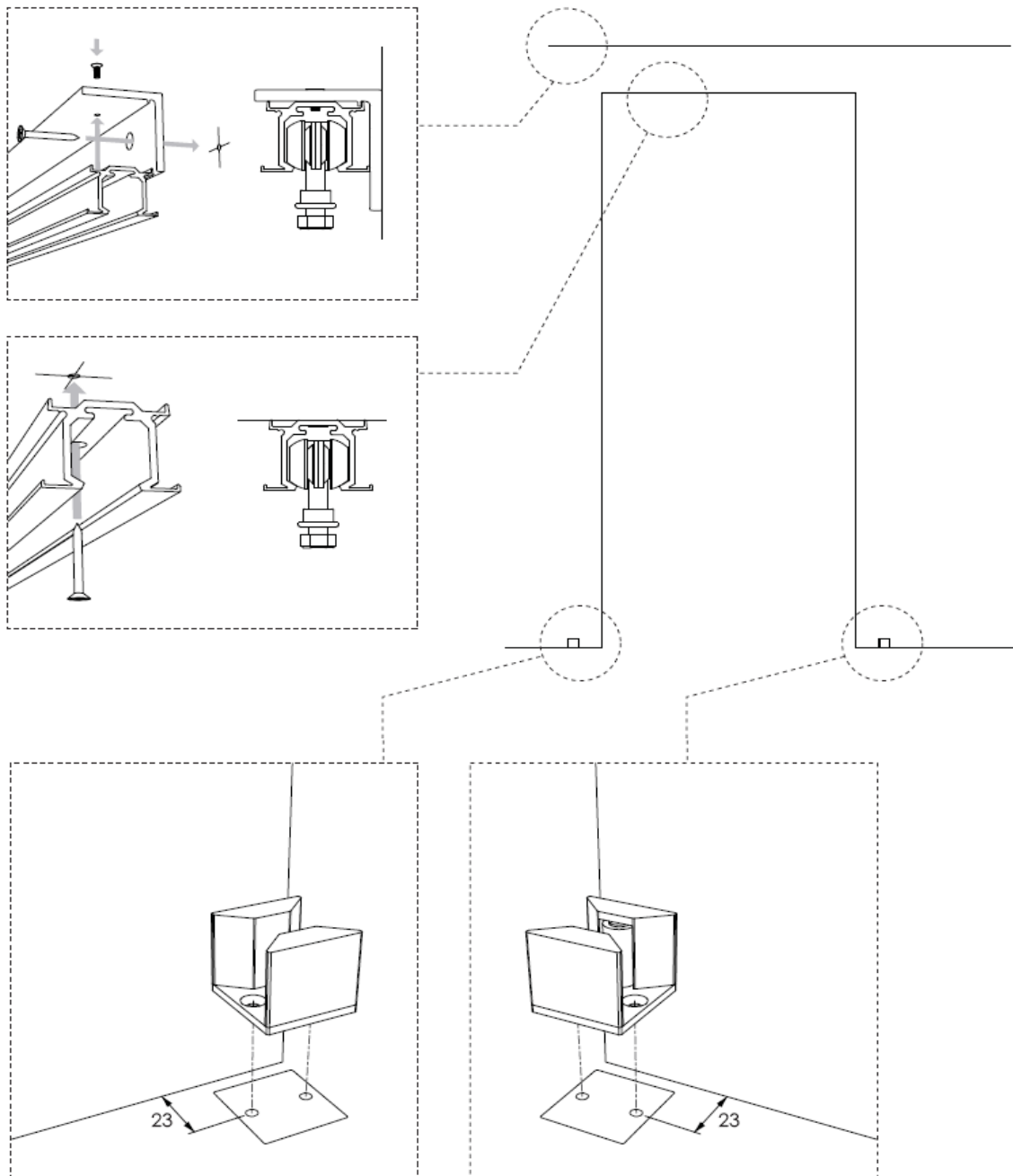
**WALL MOUNTED
SINGLE OR BIBARTING**

**CEILING MOUNTED
SINGLE OR BIBARTING**

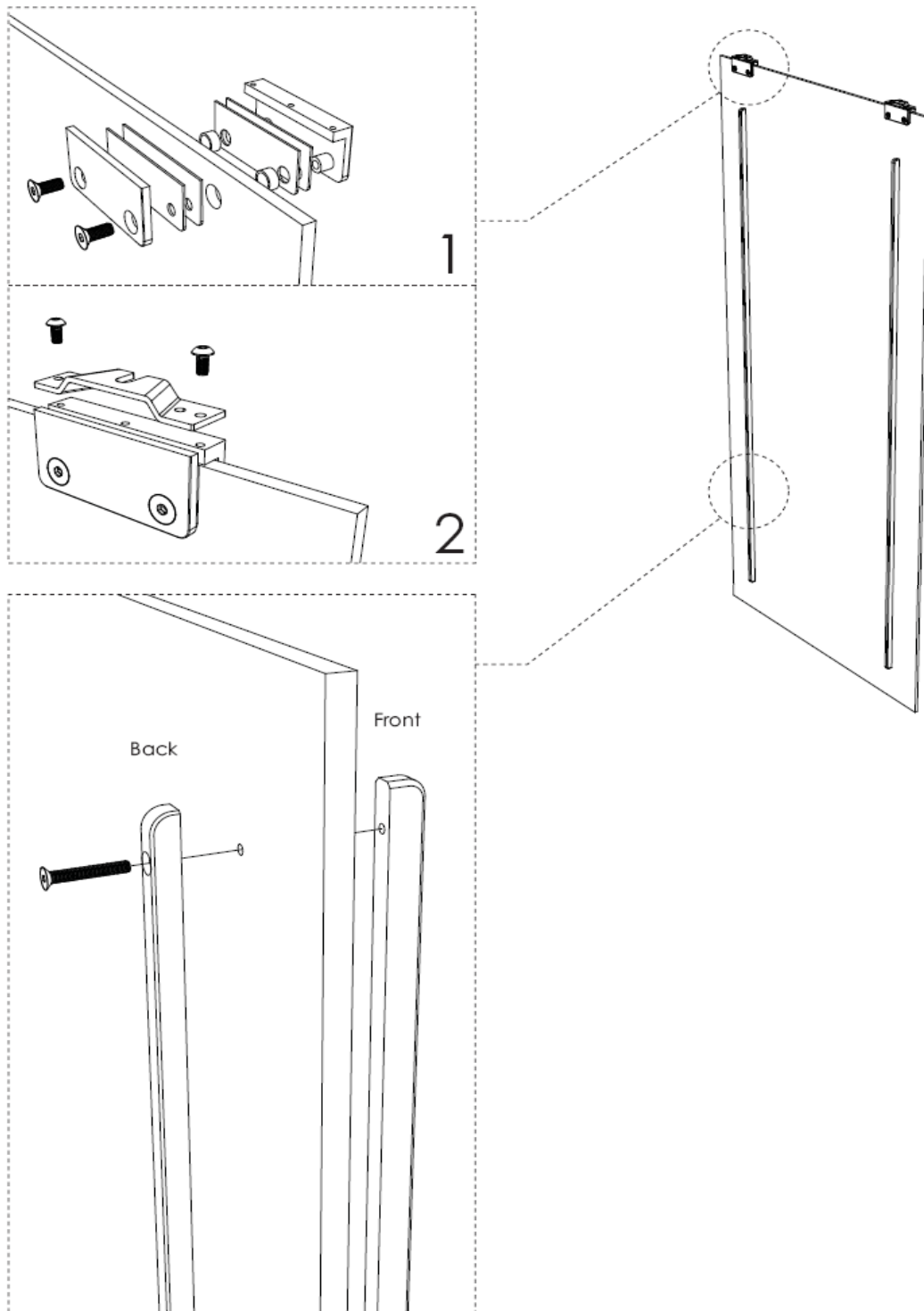
**CEILING MOUNTED
BYPASSING**



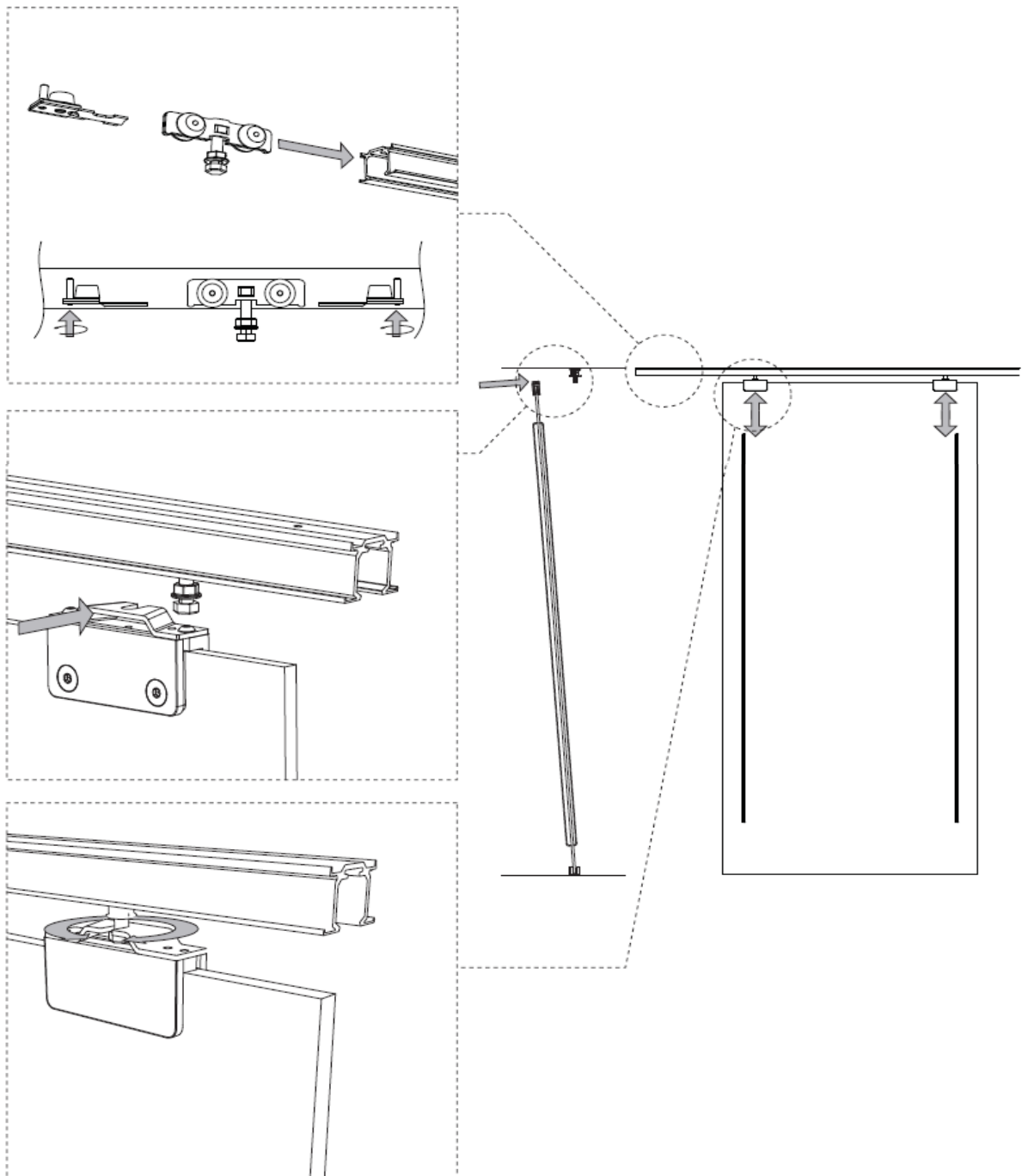
SLIDE CONCEALED: INSTALLATION



SLIDE CONCEALED: INSTALLATION



SLIDE CONCEALED: INSTALLATION



SLIDE CONCEALED: INSTALLATION

