



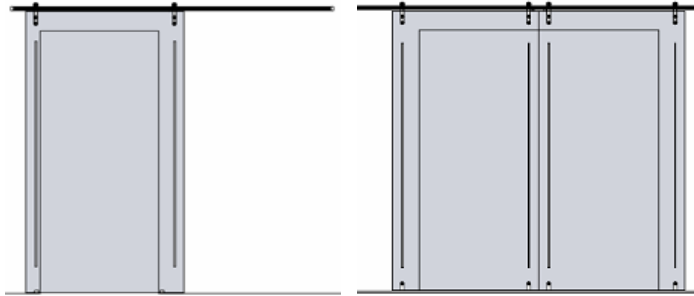
Precision engineered sliding door systems for Varia and Chroma – versatile, well designed. Slide Exposed with large exposed rollers provide an exceptionally smooth running wall mounted system for single or biparting doors. The Exposed Curve version is there for any wall mounted sliding panel application for curved walls. At Slide concealed, anodised aluminium valences conceal a high quality roller system supporting single, biparting or even bypassing doors for both wall and ceilings mounting.



SOLUTIONS OVERVIEW

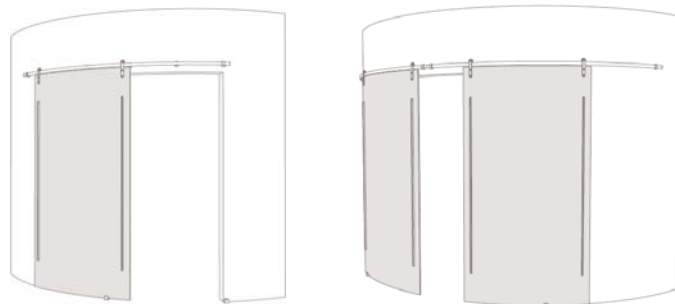
The sliding door systems Exposed, Exposed Curve and Concealed are designed to be used with 12.7 mm gauge Varia Ecoresin or Chroma up to 3 m² in size.

SLIDE EXPOSED



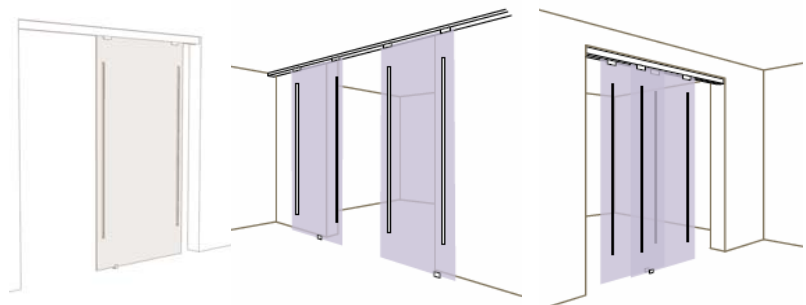
WALL MOUNTED SINGLE OR BIPARTING DOORS

SLIDE EXPOSED CURVE



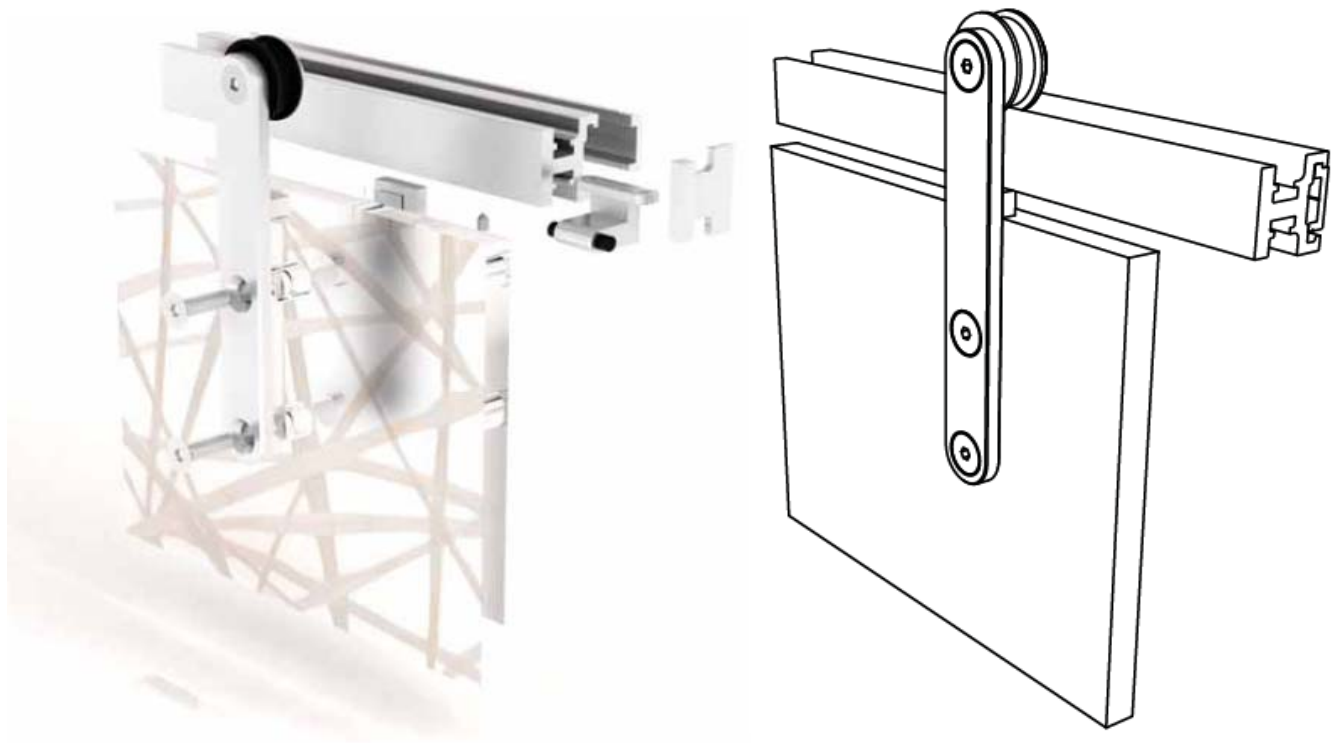
WALL MOUNTED SINGLE OR BIPARTING DOORS

SLIDE CONCEALED

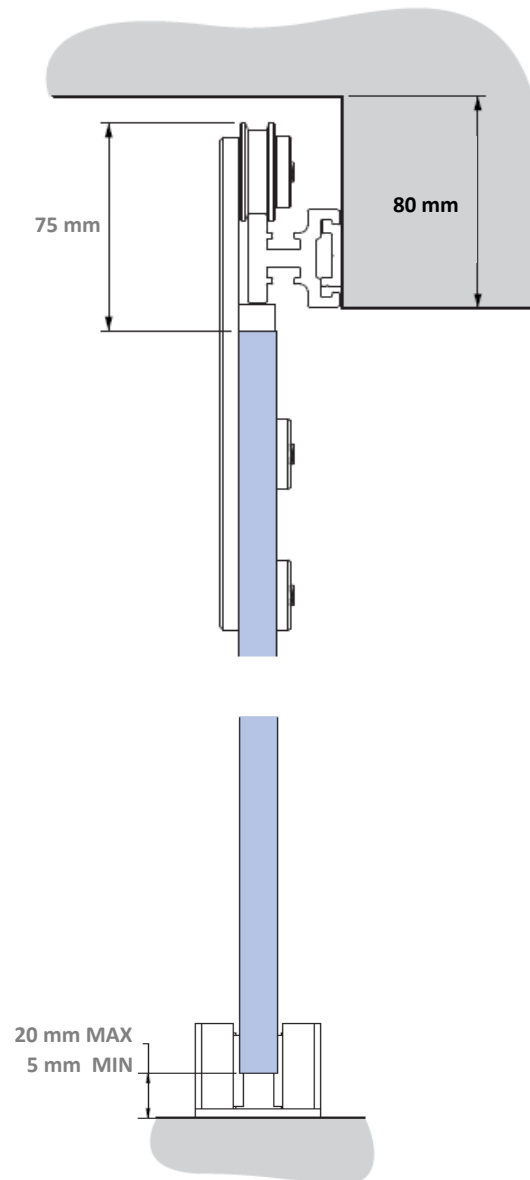


WALL OR CEILING MOUNTED SINGLE, BIPARTING OR BYPASSING DOORS

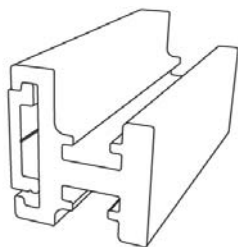
SLIDE EXPOSED



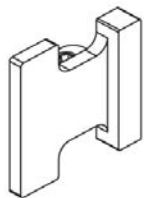
SLIDE EXPOSED: OVERALL DIMENSIONS



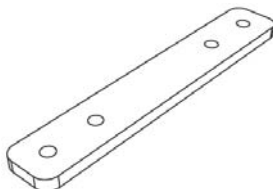
SLIDE EXPOSED: PARTS OVERVIEW



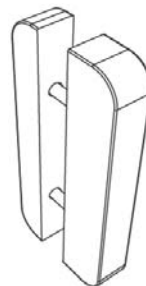
TOP TRACK EXTRUSION
3-15-1630



TOP TRACK END CAP
3-15-1632



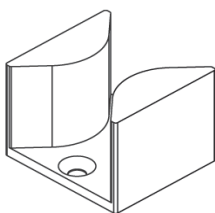
TRACK SPLICE
3-15-1633



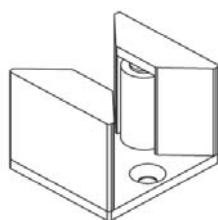
HANDLE STIFFNER (VARIA)
3-15-1645-KE



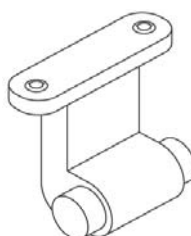
CHROMA HANDLE
3-15-1769



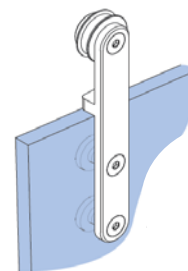
"U" GUIDE RECEIVER
3-15-1672



"U" GUIDE w/ROLLERS
3-15-1621

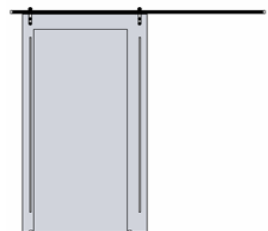


BUMPER
3-15-0008

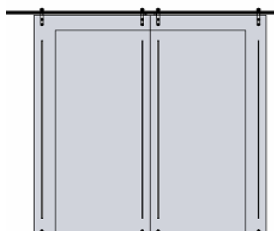


ROLLER ASSEMBLY
3-15-0007

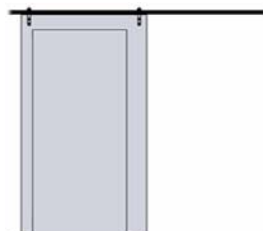
SLIDE EXPOSED: SOLUTIONS OVERVIEW



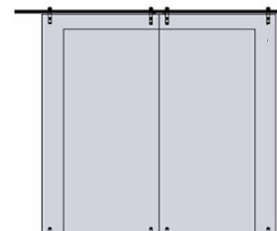
VARIA SINGLE DOOR
SE-10-1-KE



VARIA BIPARTING DOORS
SE-10-2-KE

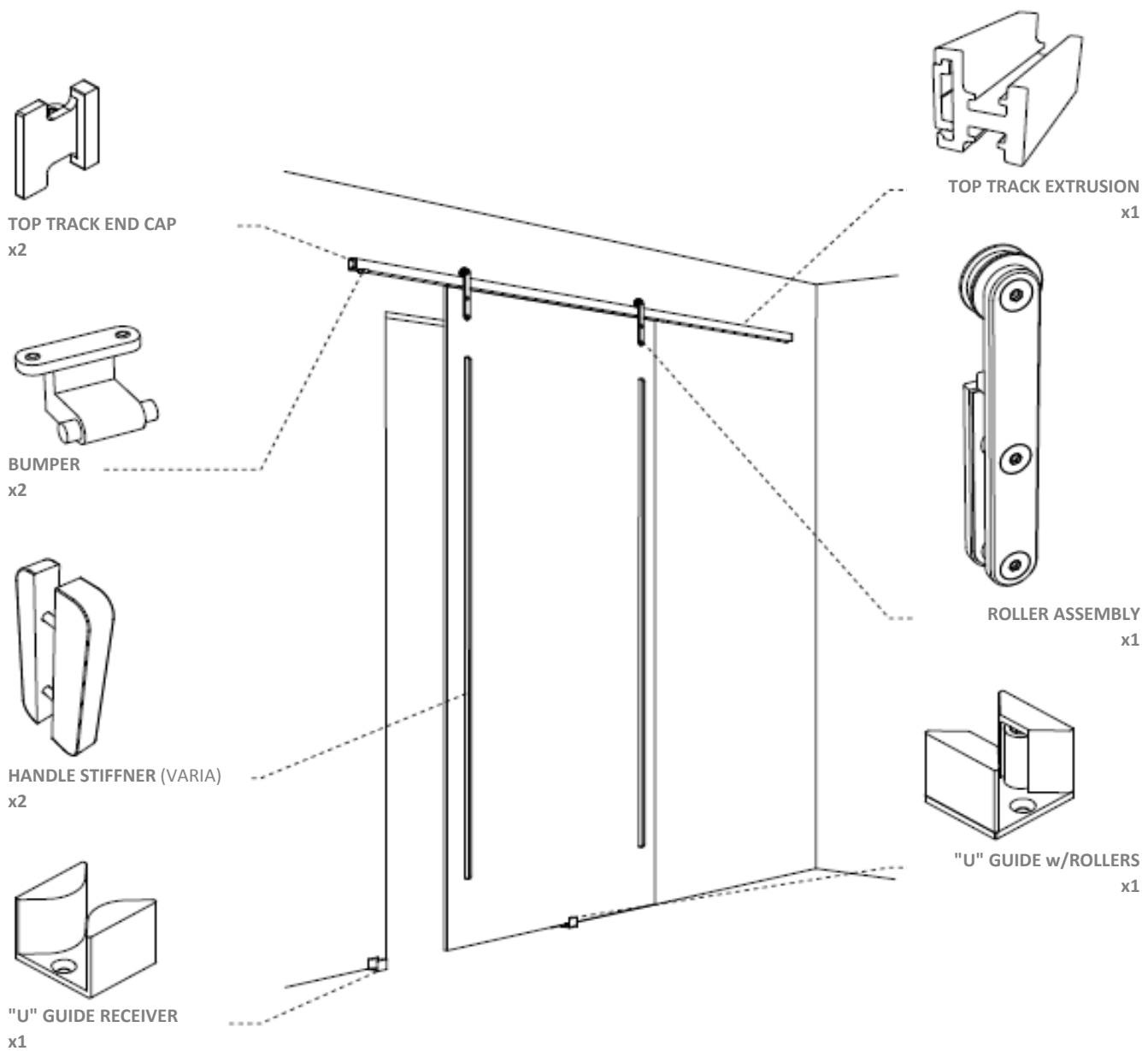


CHROMA SINGLE DOOR
SE-10-3-KE

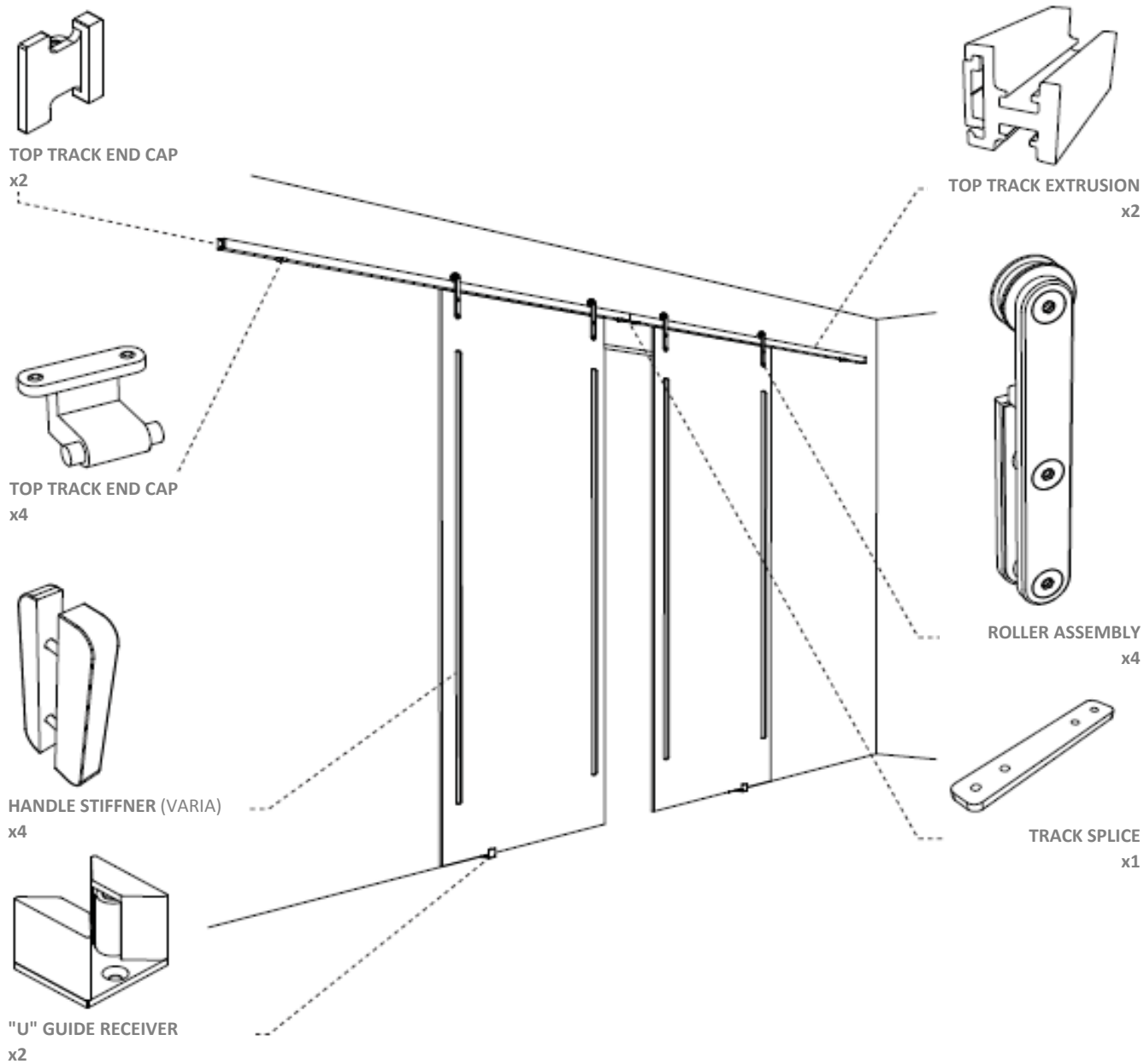


CHROMA BIPARTING DOORS
SE-10-4-KE

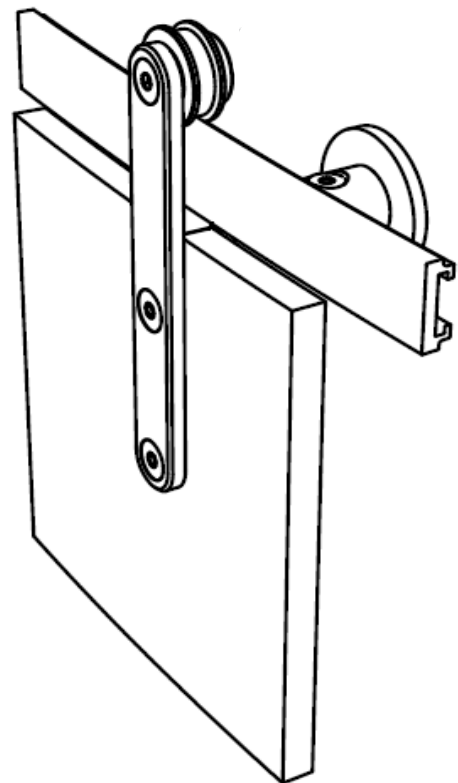
SOLUTION SE-10-1-KE - VARIA SINGLE DOOR WALL MOUNTED



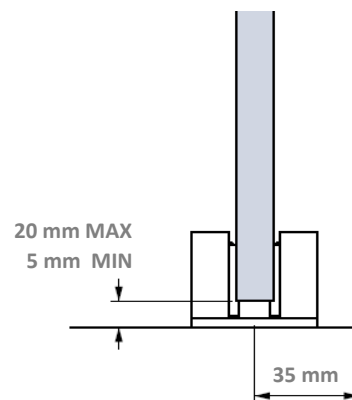
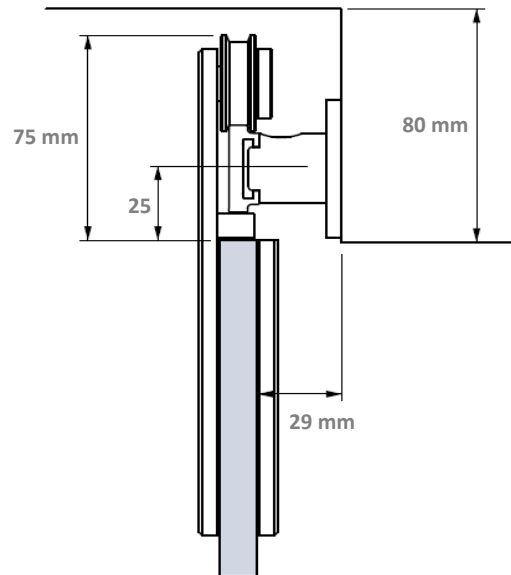
SOLUTION SE-10-2-KE - VARIA BIPARTING DOOR WALL MOUNTED



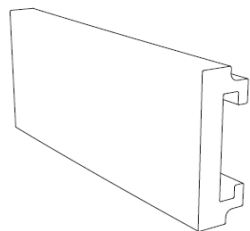
SLIDE EXPOSED CURVE



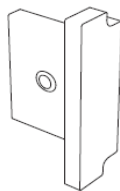
SLIDE EXPOSED CURVE: OVERALL DIMENSIONS



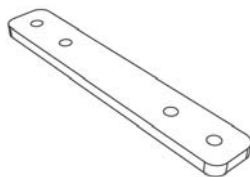
SLIDE EXPOSED CURVE: PARTS OVERVIEW



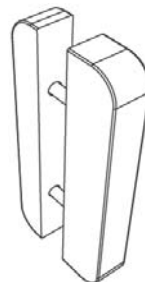
CURVEABLE TRACK
3-15-0611



CURVE TRACK END CAP
3-15-0615



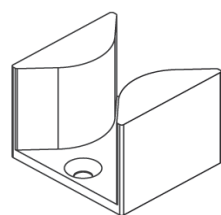
CURVE TRACK SPLICE
3-15-0617-K



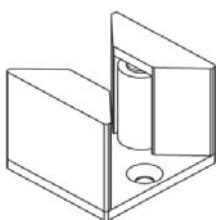
HANDLE STIFFNER (VARIA)
3-15-1645-KE



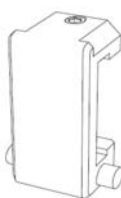
CHROMA HANDLE
3-15-1769



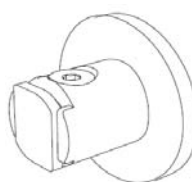
"U" GUIDE RECEIVER
3-15-1672



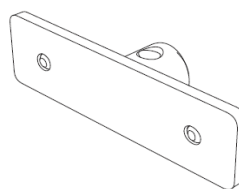
"U" GUIDE w/ROLLERS
3-15-1621



CURVE STOP
3-15-0614



WALL ADAPTER
3-15-0612-K



SPLICE AT WALL ADAPTER
3-15-0616-K



ROLLER ASSEMBLY
3-15-0007

SLIDE EXPOSED CURVE: SOLUTIONS



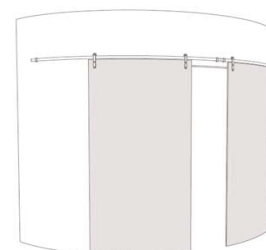
VARIA SINGLE DOOR
SE-11-1-KE



VARIA BIPARTING DOORS
SE-11-2-KE

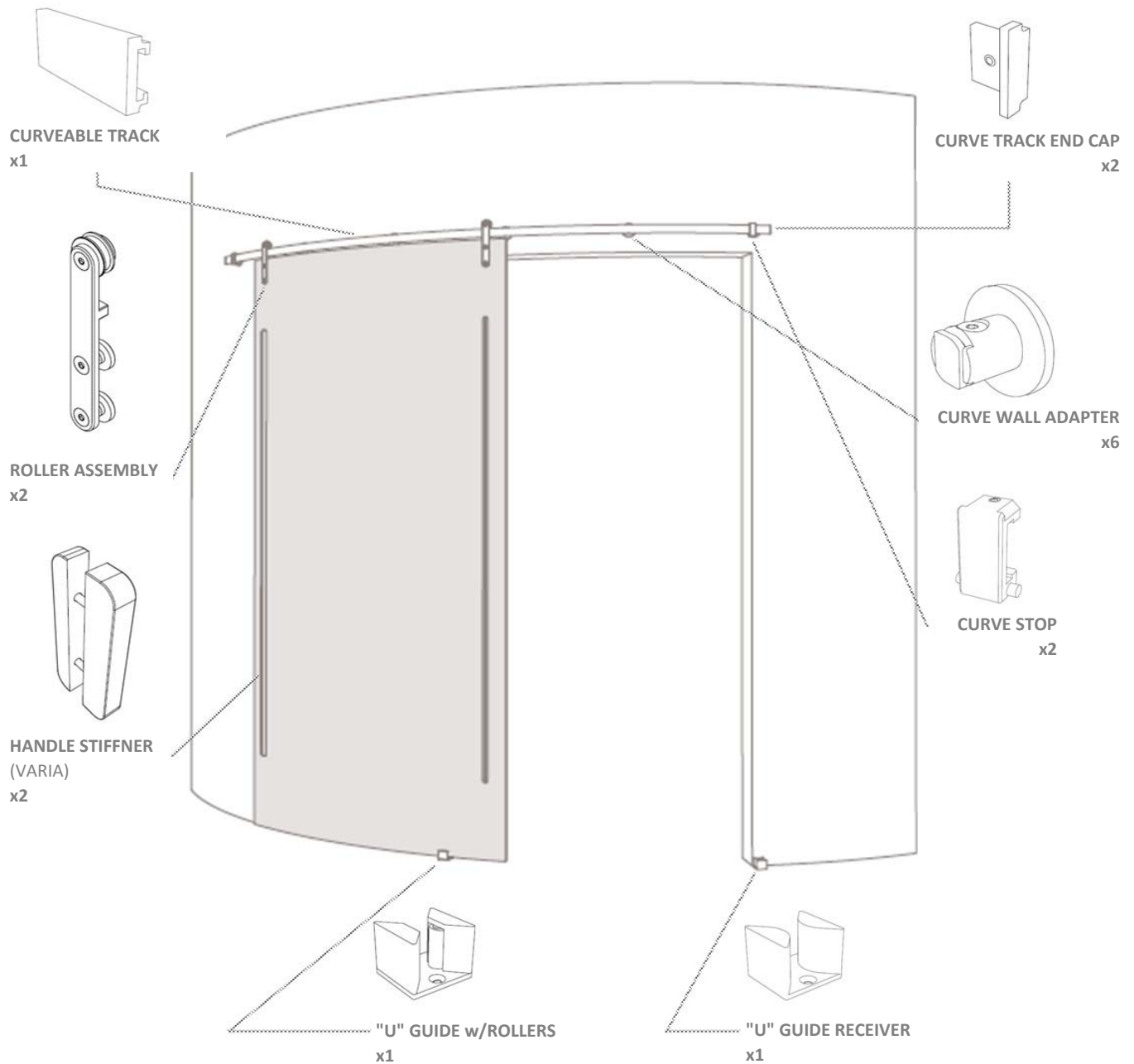


CHROMA SINGLE DOOR
SE-11-3-KE

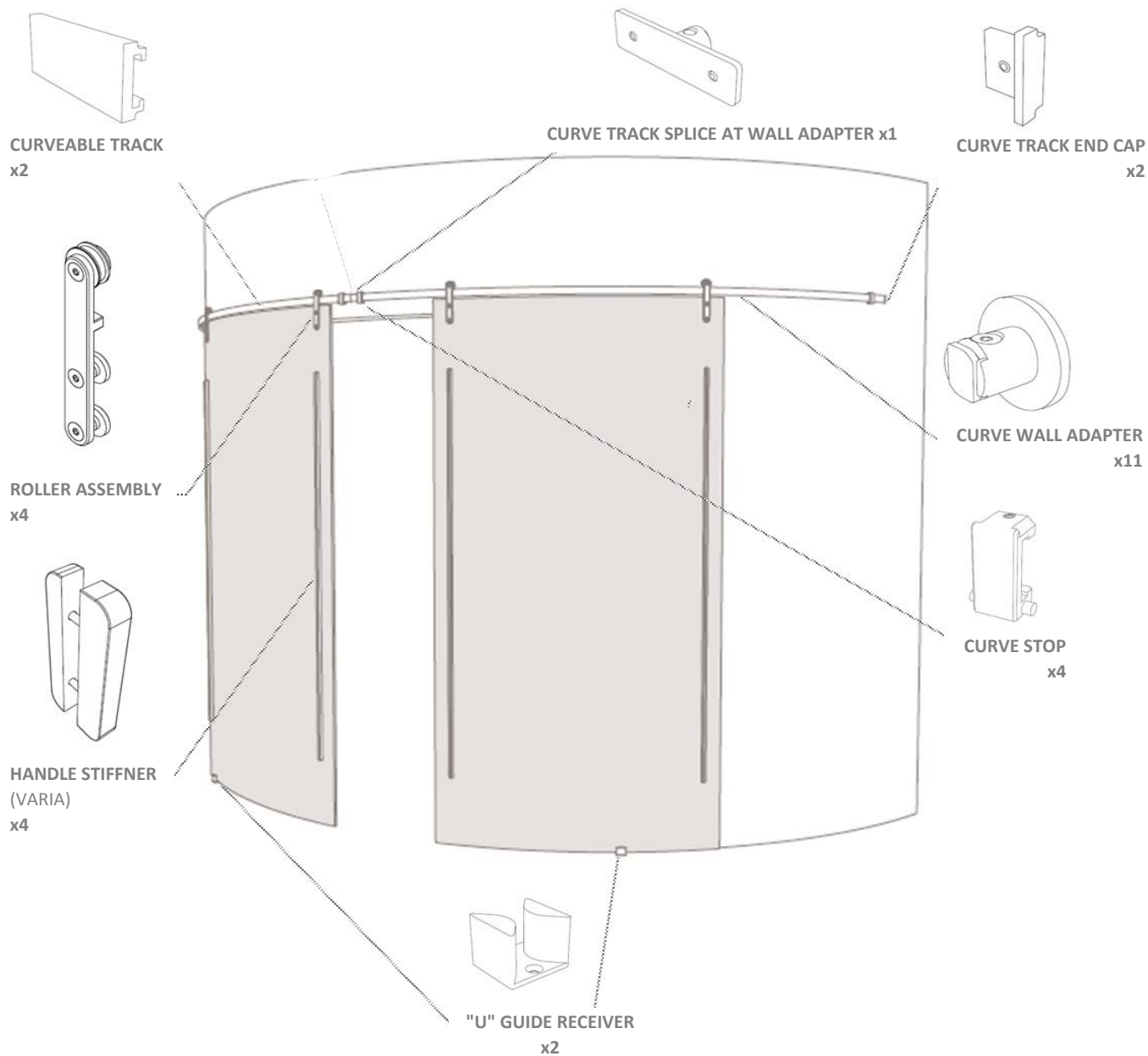


CHROMA BIPARTING DOORS
SE-11-4-KE

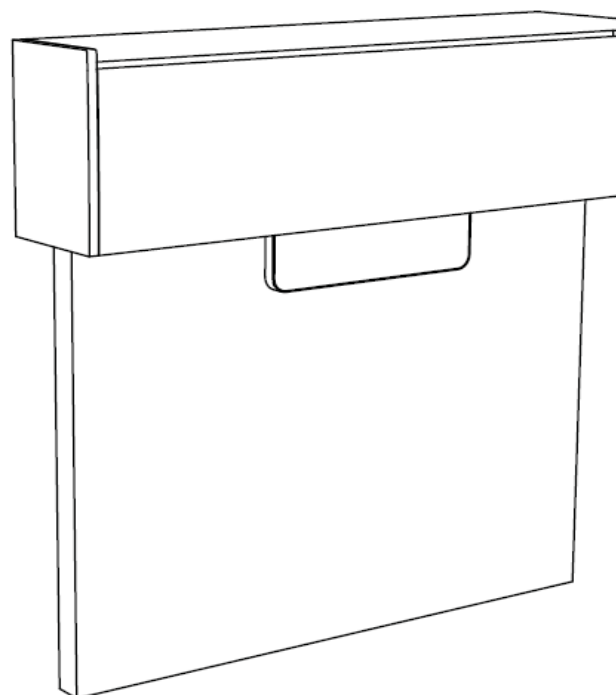
SOLUTION SE-11-1-KE - VARIA SINGLE DOOR WALL MOUNTED



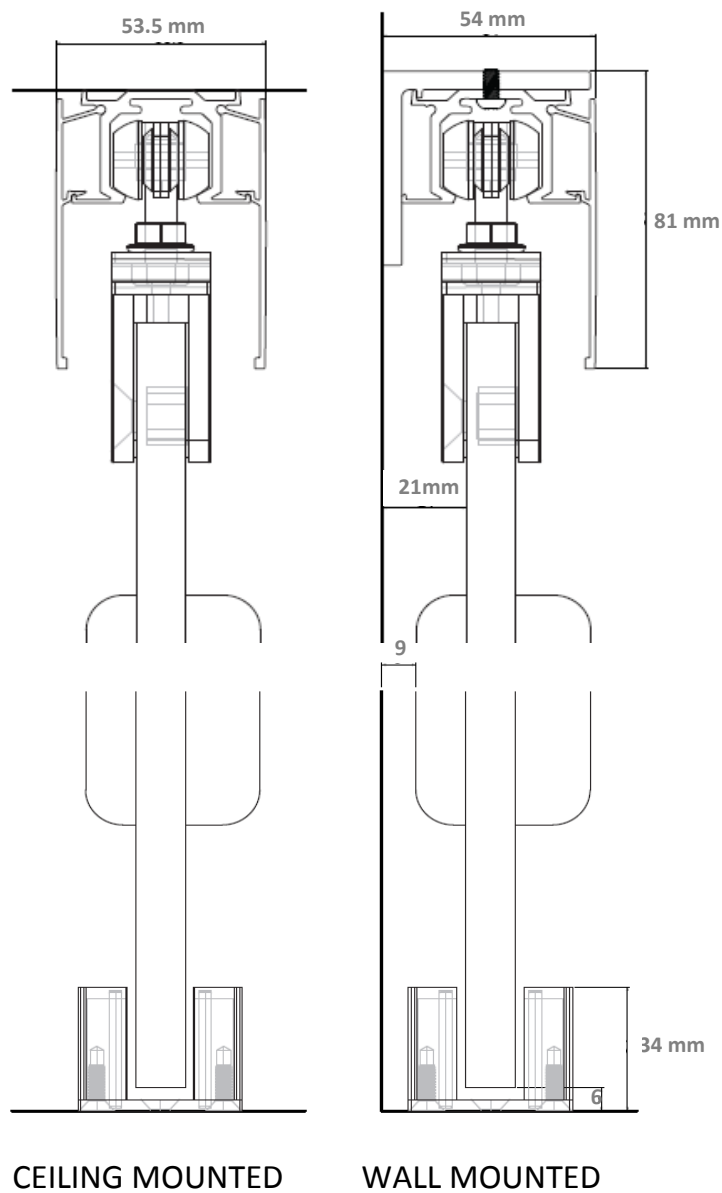
SOLUTION SE-11-2-KE - VARIA BIPARTING DOOR WALL MOUNTED



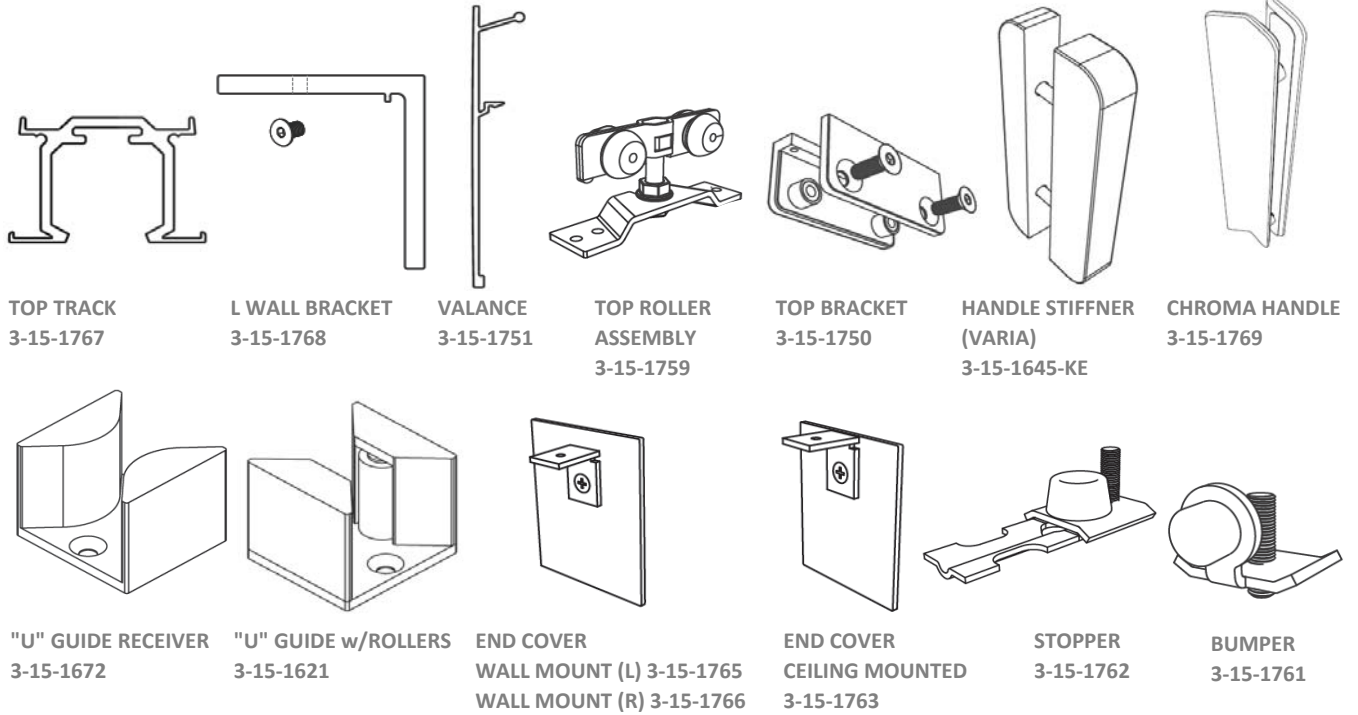
SLIDE CONCEALED



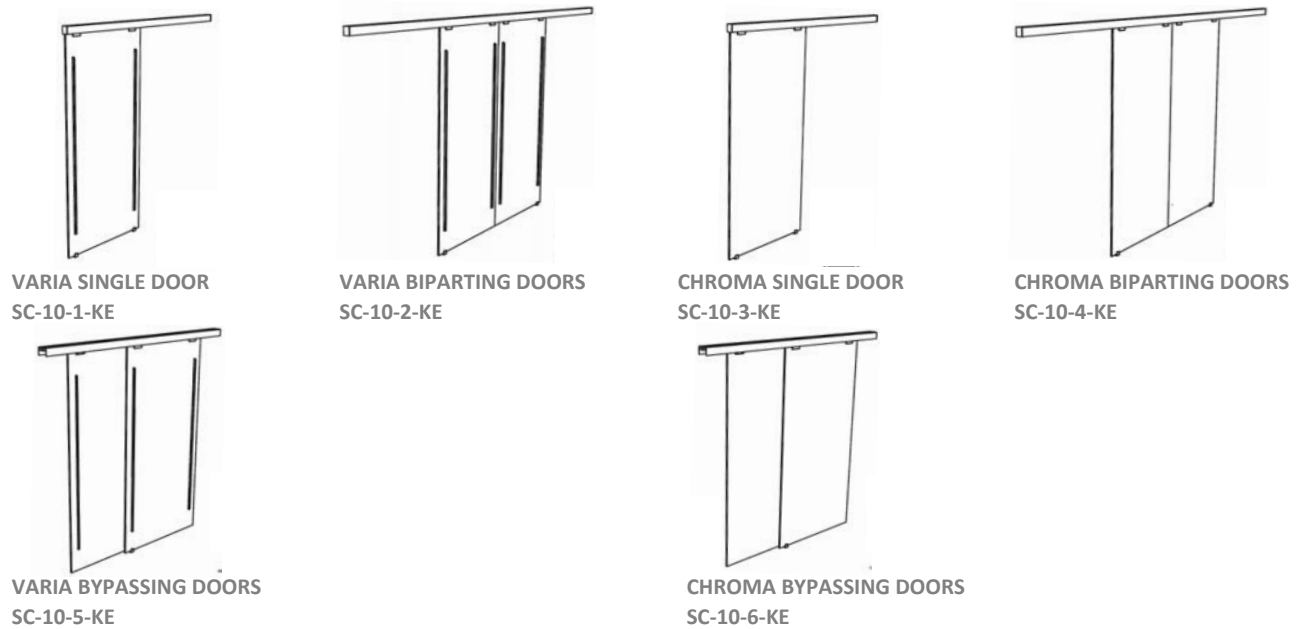
SLIDE CONCEALED: OVERALL DIMENSIONS



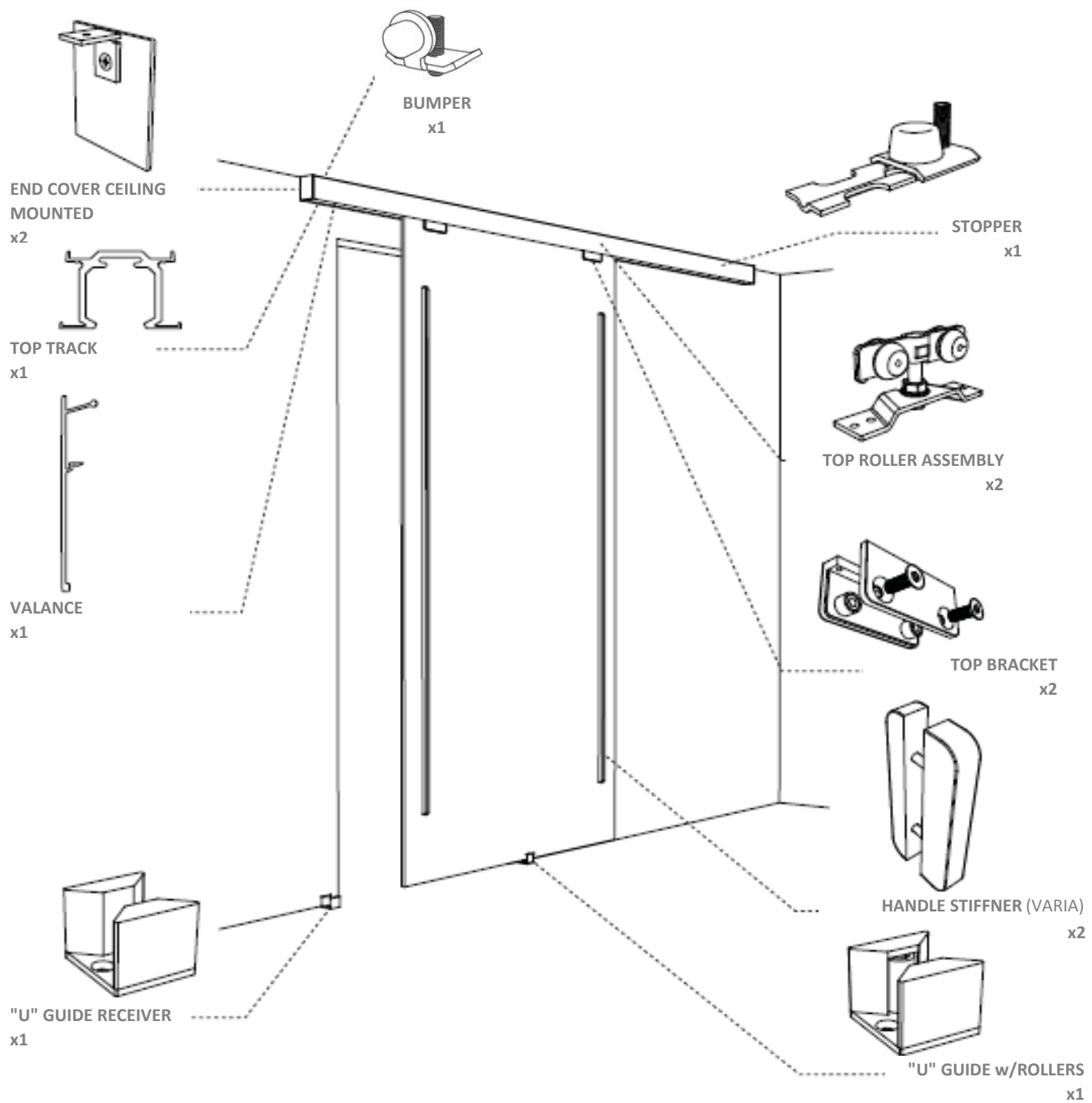
SLIDE CONCEALED: PARTS OVERVIEW



SLIDE CONCEALED: SOLUTIONS OVERVIEW



SOLUTION SC-10-1-KE - VARIA SINGLE DOOR CEILING MOUNTED



SOLUTION SC-10-5-KE - VARIA BYPASSING DOORS CEILING MOUNTED

